

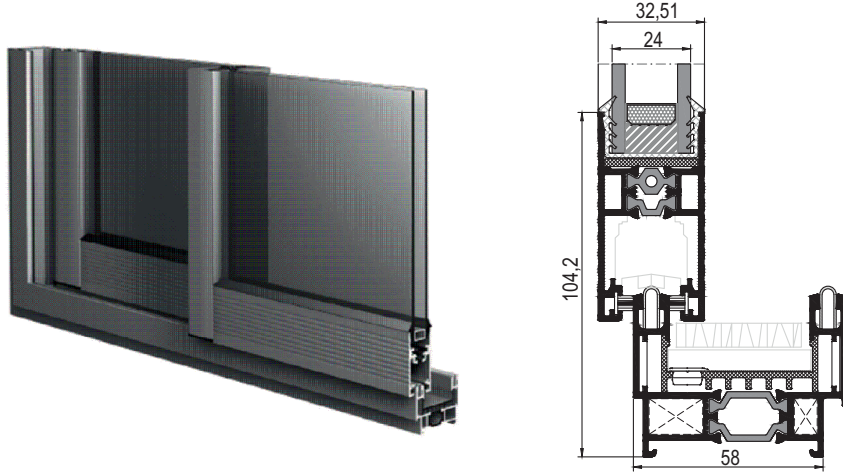
MİMARİ KATALOG

ARCHITECTURAL CATALOGUE

Alüminyum Kapı Pencere ve Giydirme Cephe Sistemleri
Aluminium Door Window and Facade Systems



RST58



TEKNİK ÖZELLİKLERİ / TECHNICAL PROPERTIES

KASA DERİNLİĞİ / FRAME DEPTH	min.65mm - max.139,5mm
KANAT DERİNLİĞİ / VENT DEPTH	min.39,6mm - max.84,72mm
PROFİL ET KALINLIĞI / PROFILE WALL THICKNESS	1,4 / 1,5 / 1,6 mm
CAM KALINLIĞI / GLASS THICKNESS	20 / 22/ 24 mm
ISI BARIYERLERİ / THERMAL INSULATION BARS	14,8 / 20 / 24 mm

KULLANIM SEÇENEKLERİ / APPLICATION ALTERNATIVES

	KAPI DOOR	PENCERE WINDOW
BASİT SÜRME / SLIDING	•	•
90° KANAT BİRLEŞİMİ / 90° VENT COMBINATION	•	•
45° KANAT BİRLEŞİMİ / 45° VENT COMBINATION	•	•
CAM ÇITALI KANAT / VENT WITH GLAZING BEAD	•	•
CAM ÇITASIZ KANAT / VENT WITHOUT GLAZING BEAD	•	•
3 RAYLI KASA / 3 RAILED FRAME	•	•
SİNEKLİK / INSECT SCREEN	•	•
SABİTLE BİRLEŞİM / COMBINATION WITH FIXED PART	•	•

PERFORMANS DEĞERLERİ / PERFORMANCE VALUES

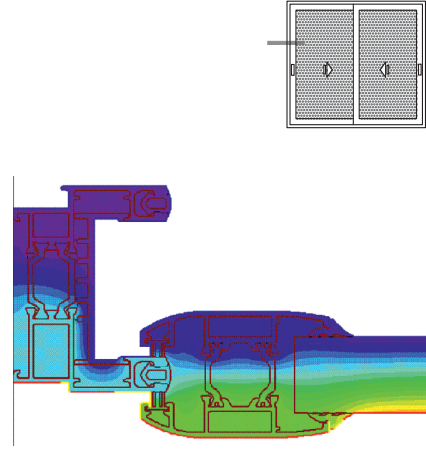
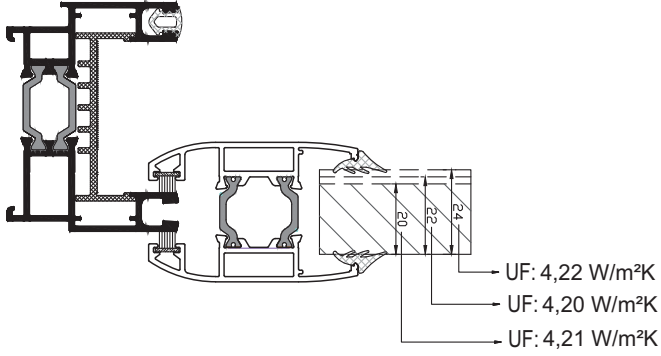
SİSTEM UF DEĞERİ - EN 10077-2
(THERMAL INSULATION VALUE)



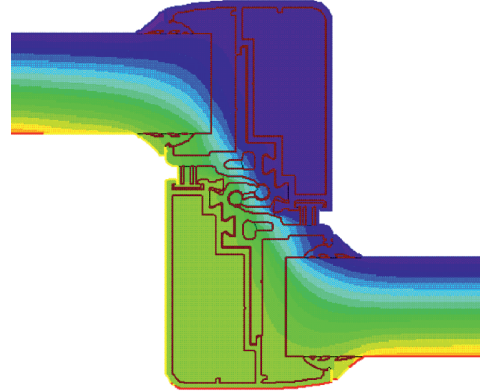
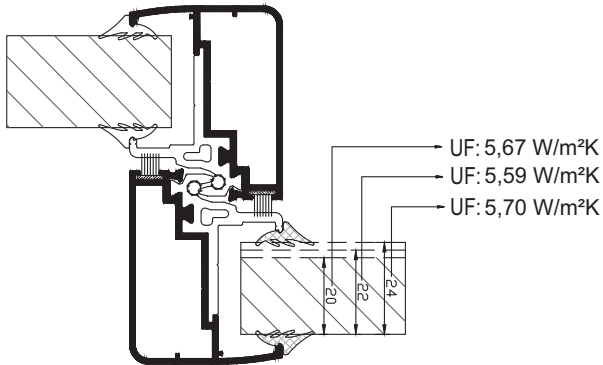
4,20~5,70 W/m²K

ISI YALITIM DEĞERLERİ (UF) / THERMAL INSULATION VALUE (UF):

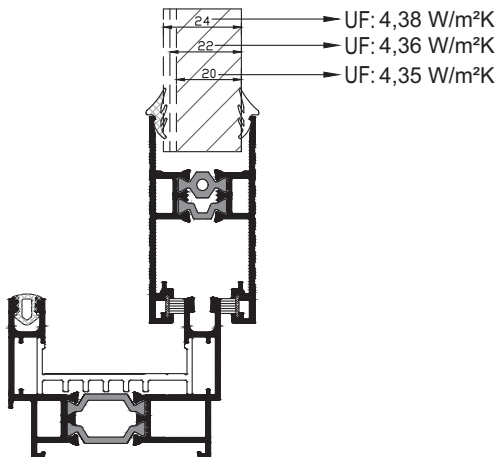
Cam Kalınlıkları (GLASS THICKNESS): 20 / 22 / 24 mm



Cam Kalınlıkları (GLASS THICKNESS): 20 / 22 / 24 mm



Cam Kalınlıkları (GLASS THICKNESS): 20 / 22 / 24 mm



01

02

03

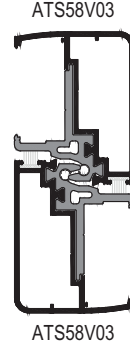
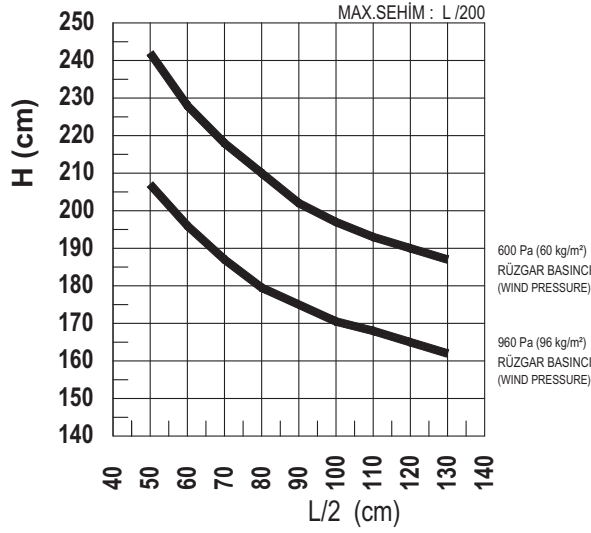
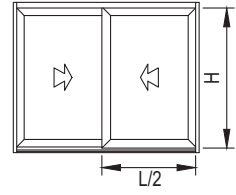
04

05

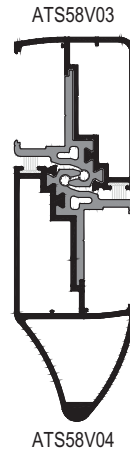
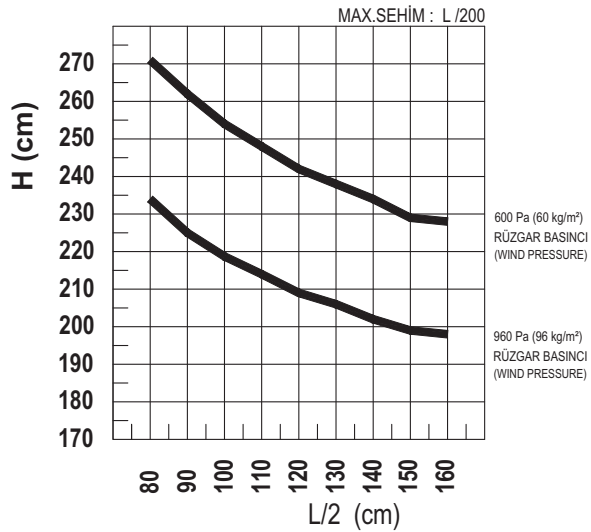
06

07

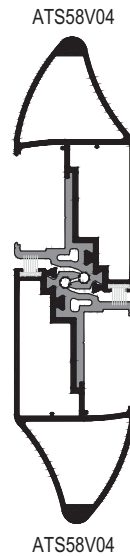
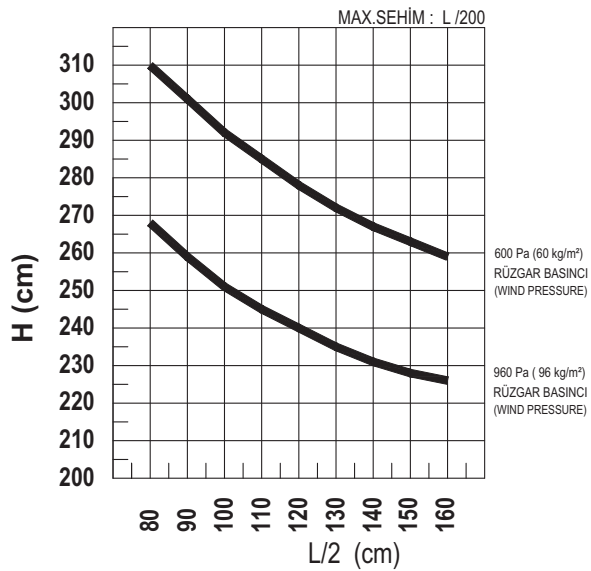
RÜZGAR YÜKÜNE GÖRE KULLANIM LİMİTLERİ GRAFIĞI USAGE DIAGRAM FOR THE WIND LOAD



ATS58V03 Jx: 7,83 cm⁴
ATS58V03 Jx: 7,83 cm⁴
TOPLAM Jx: 15,66 cm⁴

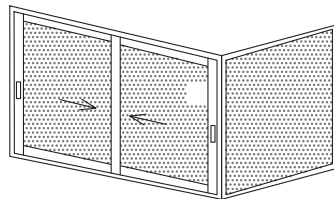
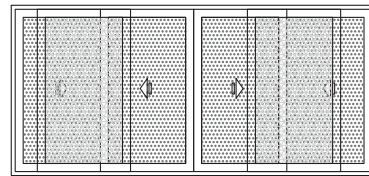
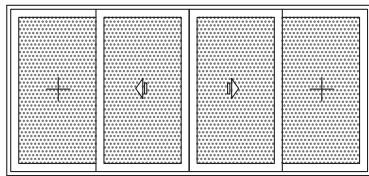
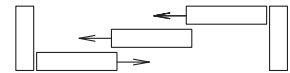
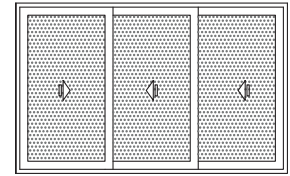
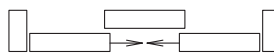
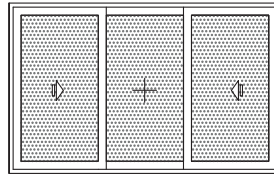
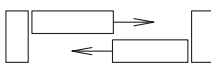
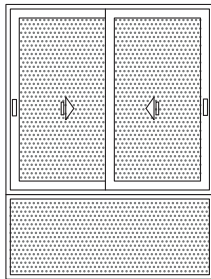
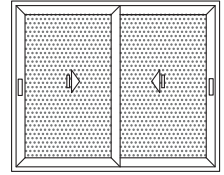
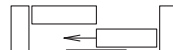
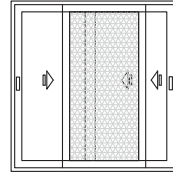
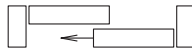
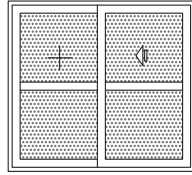
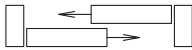
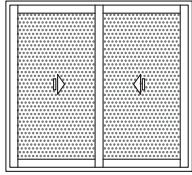


ATS58V03 Jx: 7,83 cm⁴
ATS58V04 Jx: 26,79 cm⁴
TOPLAM Jx: 34,62 cm⁴



ATS58V04 Jx: 26,79 cm⁴
ATS58V04 Jx: 26,79 cm⁴
TOPLAM Jx: 53,58 cm⁴

SİSTEM TİPOLOJİSİ SYSTEM TYPOLOGY



01

02

03

04

05

06

07

MİMARİ KATALOG

ARCHITECTURAL CATALOGUE

Alüminyum Kapı Pencere ve Giydirme Cephe Sistemleri
Aluminium Door Window and Facade Systems

RST58

PROFİLLER

PROFILES

01

02

03

04

05

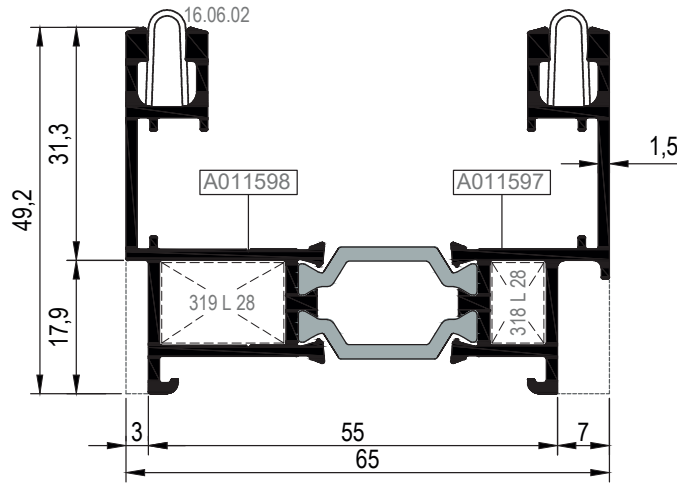
06

07

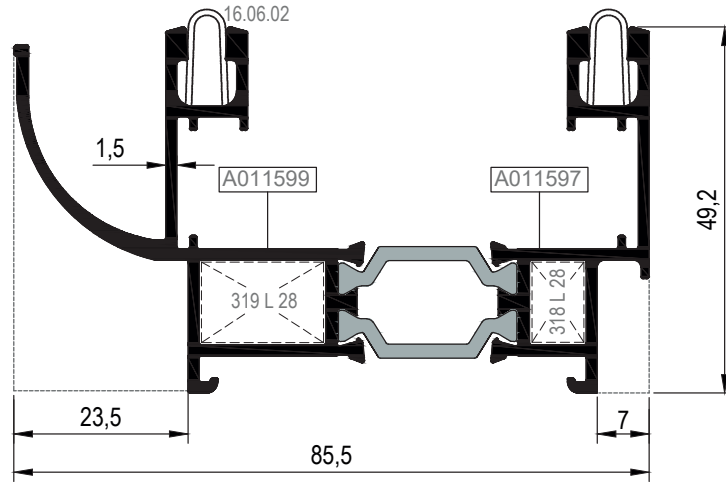
KOD / CODE	AĞIRLIK (kg/m) / WEIGHT	Jxx cm ⁴	Jyy cm ⁴	L m
ATS58F01	1,338	20,707	9,398	6
ATS58F02	1,517	30,033	10,135	6



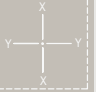
ATS58F01



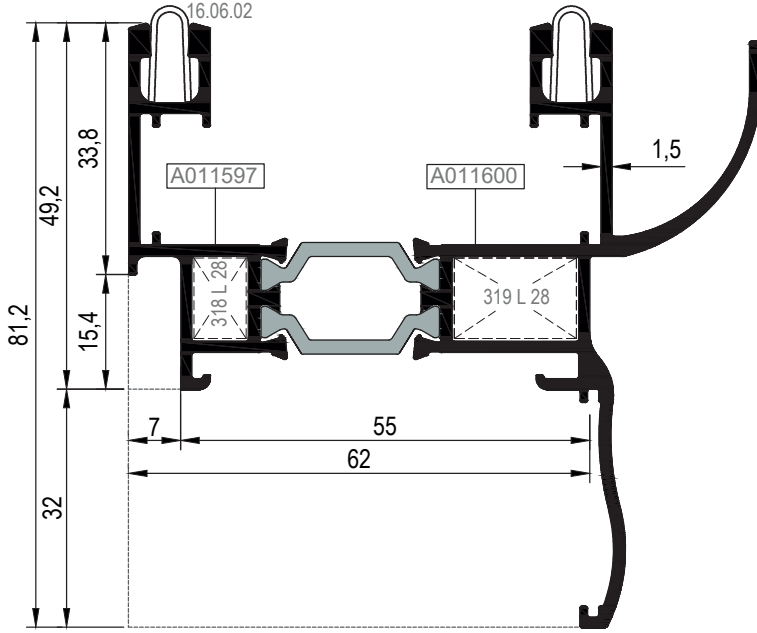
ATS58F02



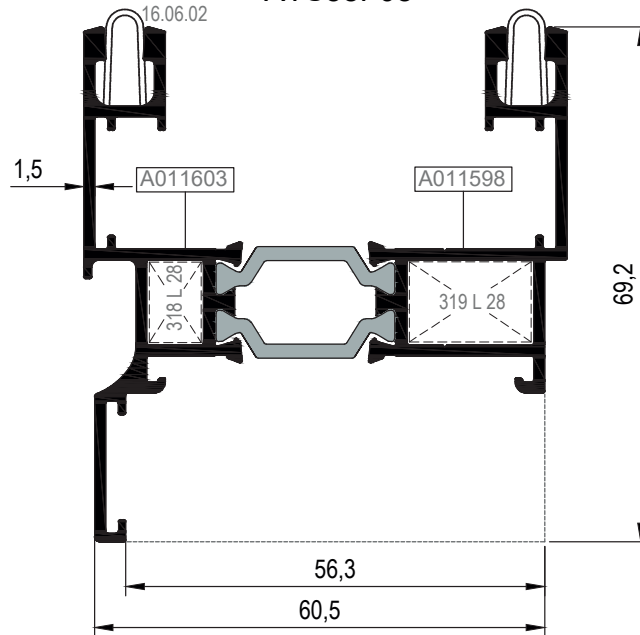
Nr		L m	KESİM ÖLÇÜSÜ CUTTING SIZE	AKS. KODU ACS. CODE
ATS58F01	A011597	25 L 28(A010542)	7,3 mm	318 L 28
	A011598	25 L 28(A010542)	16,7 mm	319 L 28
ATS58F02	A011597	25 L 28(A010542)	7,3 mm	318 L 28
	A011599	25 L 28(A010542)	16,7 mm	319 L 28



KOD / CODE	AĞIRLIK (kg/m) / WEIGHT	Jxx cm ⁴	Jyy cm ⁴	L m	
ATS58F03	1,724	33,384	19,971	6	
ATS58F08	1,471	23,794	13,848	6	

ATS58F03

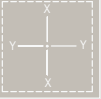


ATS58F08

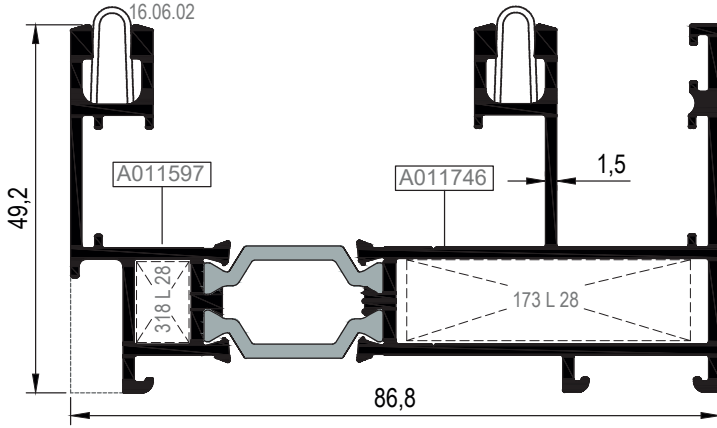


Nr		 L m	KEŞİM ÖLÇÜSÜ CUTTING SIZE	 AKS. KODU ACS. CODE
ATS58F03	A011597	25 L 28(A010542)	7,3 mm	318 L 28
	A011600	25 L 28(A010542)	16,7 mm	319 L 28
ATS58F08	A011603	25 L 28(A010542)	7,3 mm	318 L 28
	A011598	25 L 28(A010542)	16,7 mm	319 L 28

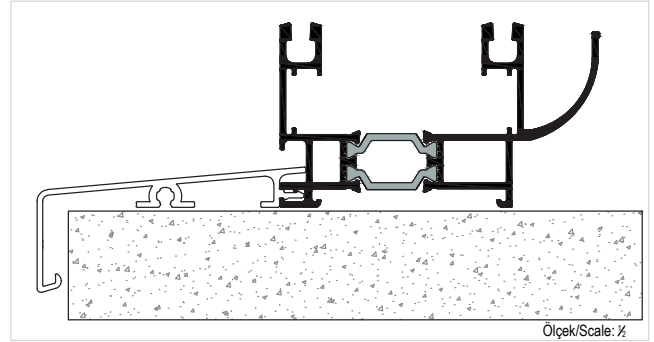
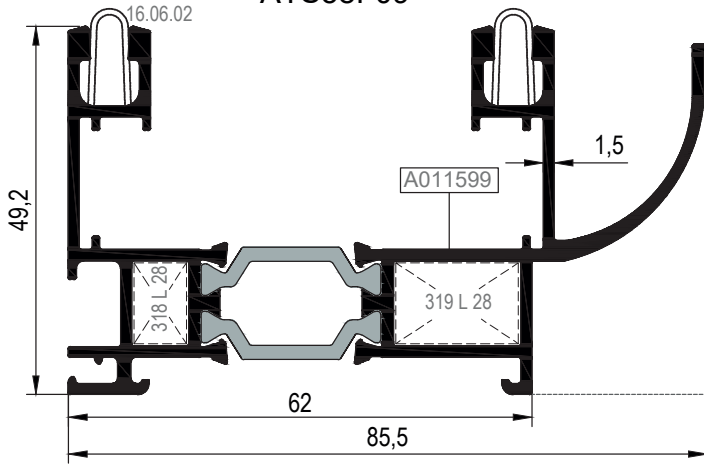
KOD / CODE	AĞIRLIK (kg/m) / WEIGHT	Jxx cm ⁴	Jyy cm ⁴	L m
ATS58F09	1,643	32,472	10,741	6
ATS58F10	1,687	-----	-----	6



ATS58F10




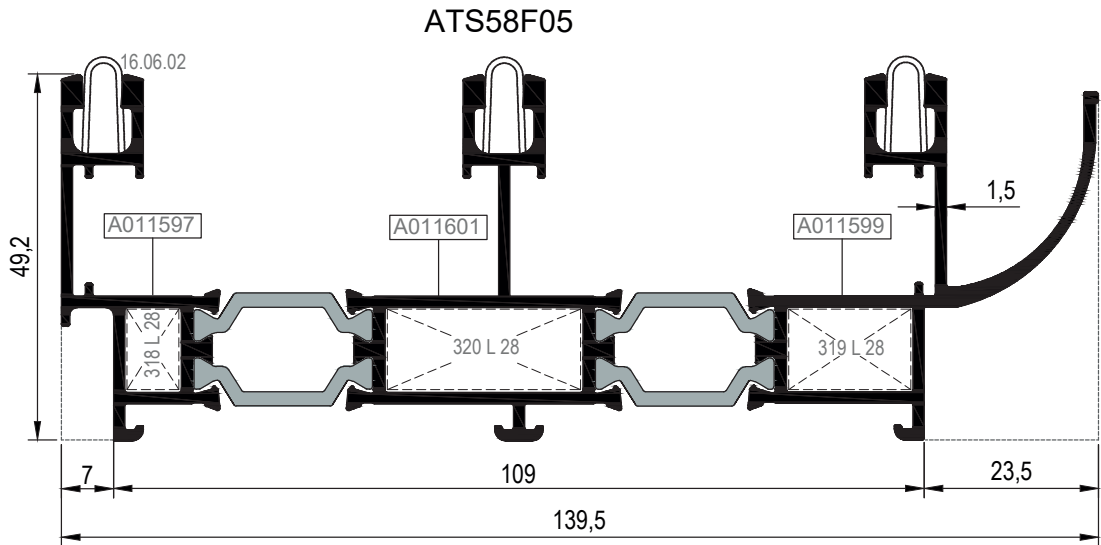
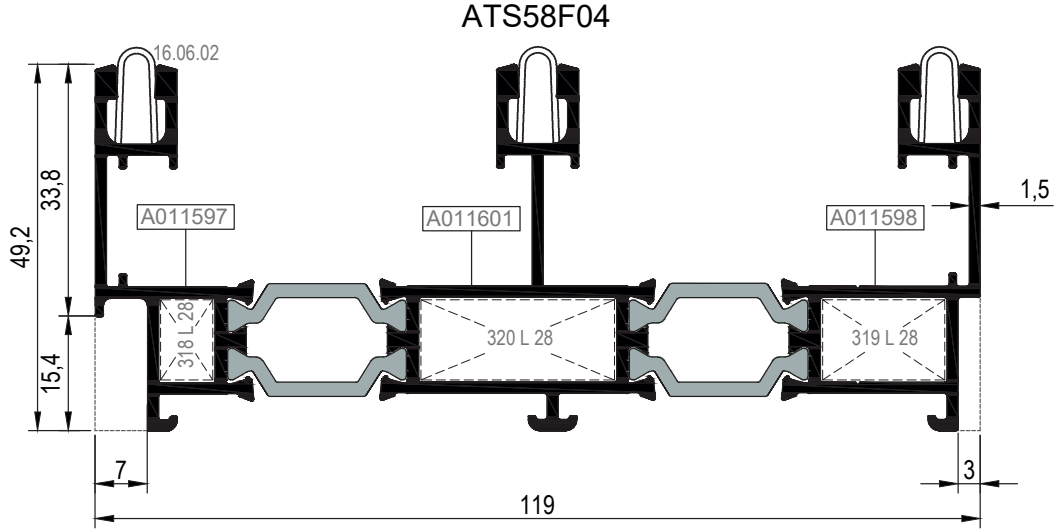
**ATS58F09





**Kalıp aktif değildir. Sipariş üzerine yapılacaktır.
The die is not active. It will be produced by order.

Nr		KESİM ÖLÇÜSÜ CUTTING SIZE	AKS. KODU ACS. CODE
ATS58F09	-----	25 L 28(A010542)	318 L 28
	A011599	25 L 28(A010542)	319 L 28
ATS58F10	A011597	25 L 28(A010542)	318 L 28
	A011746	25 L 28(A010542)	173 L 28

KOD / CODE	AĞIRLIK (kg/m) / WEIGHT	Jxx cm ⁴	Jyy cm ⁴	L m	
ATS58F04	2,247	92,010	15,197	6	
ATS58F05	2,426	117,022	16,029	6	

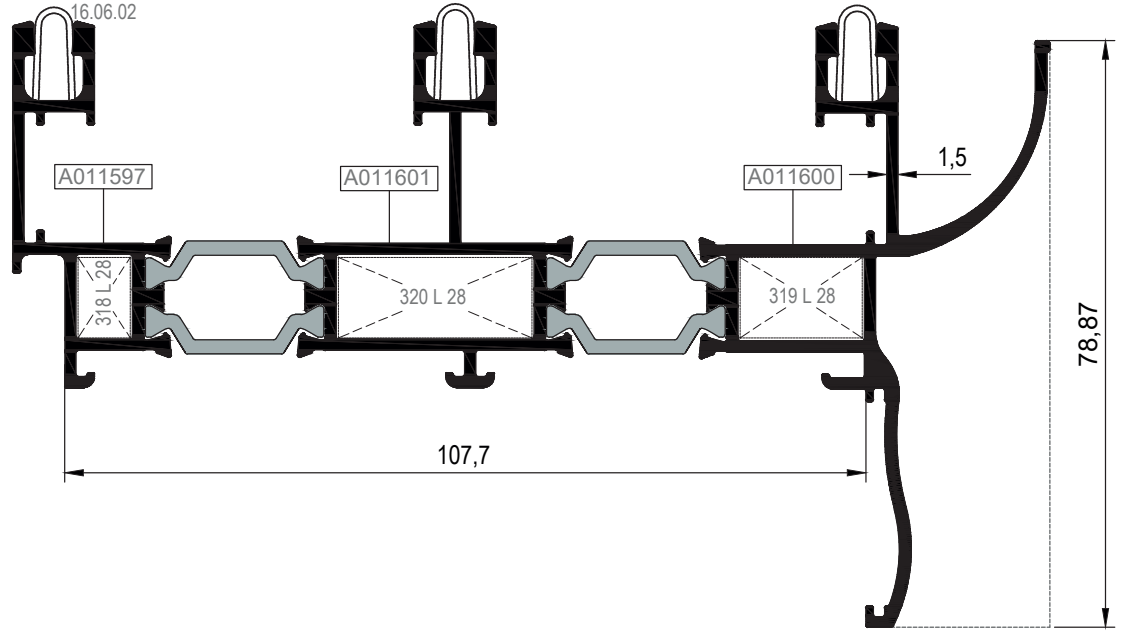


Nr		 L m	KEŞİM ÖLÇÜSÜ CUTTING SIZE	 AKS. KODU ACS. CODE
ATS58F04	A011597	25 L 28(A010542)	7,3 mm	318 L 28
	A011598	25 L 28(A010542)	16,7 mm	319 L 28
	A011601	25 L 28(A010542)	26,3 mm	320 L 28
ATS58F05	A011597	25 L 28(A010542)	7,3 mm	318 L 28
	A011599	25 L 28(A010542)	16,7 mm	319 L 28
	A011601	25 L 28(A010542)	26,3 mm	320 L 28

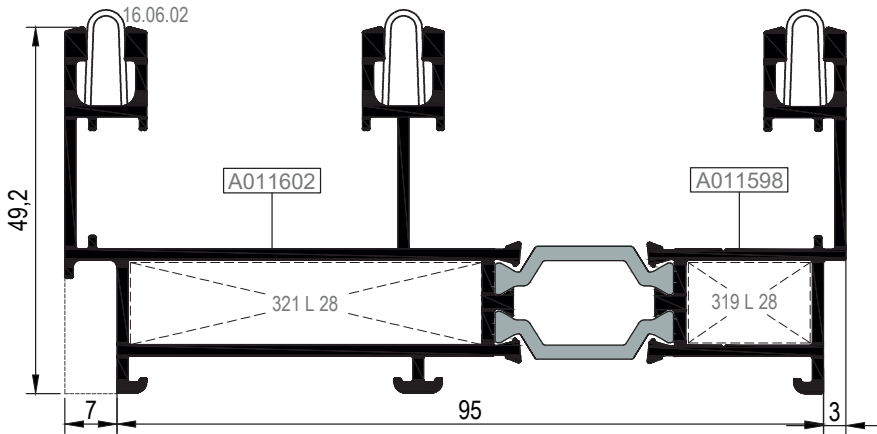
KOD / CODE	AĞIRLIK (kg/m) / WEIGHT	Jxx cm ⁴	Jyy cm ⁴	L m
ATS58F06	2,633	131,987	25,673	6
ATS58F07	1,952	67,098	14,646	6



ATS58F06



ATS58F07
Sineklik Kanadı İçin Kasa

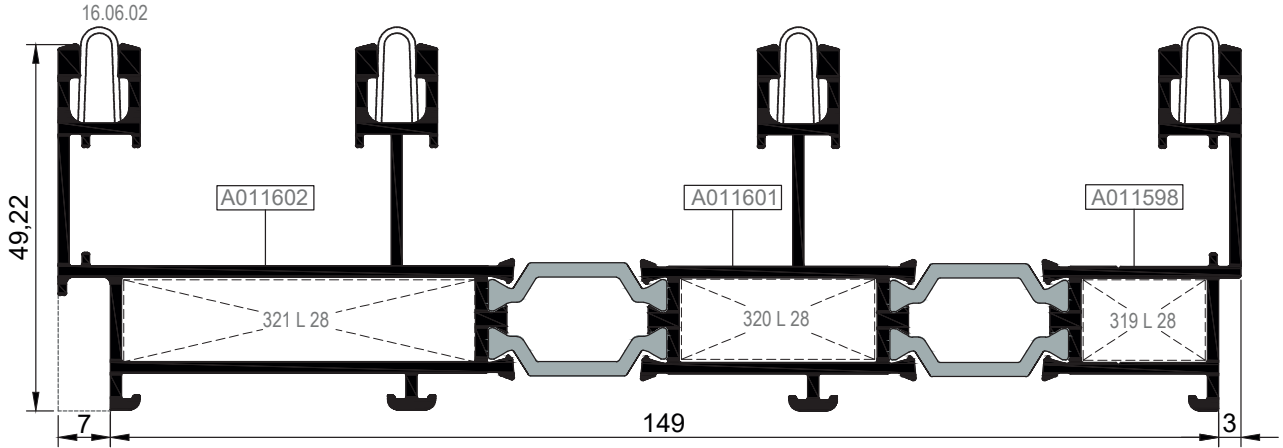


Nr		L m	KESİM ÖLÇÜSÜ CUTTING SIZE	AKS. KODU ACS. CODE
ATS58F06	A011597	25 L 28(A010542)	7,3 mm	318 L 28
	A011600	25 L 28(A010542)	16,7 mm	319 L 28
	A011601	25 L 28(A010542)	26,3 mm	320 L 28
ATS58F07	A011598	25 L 28(A010542)	16,7 mm	319 L 28
	A011602	25 L 28(A010542)	47,3 mm	321 L 28

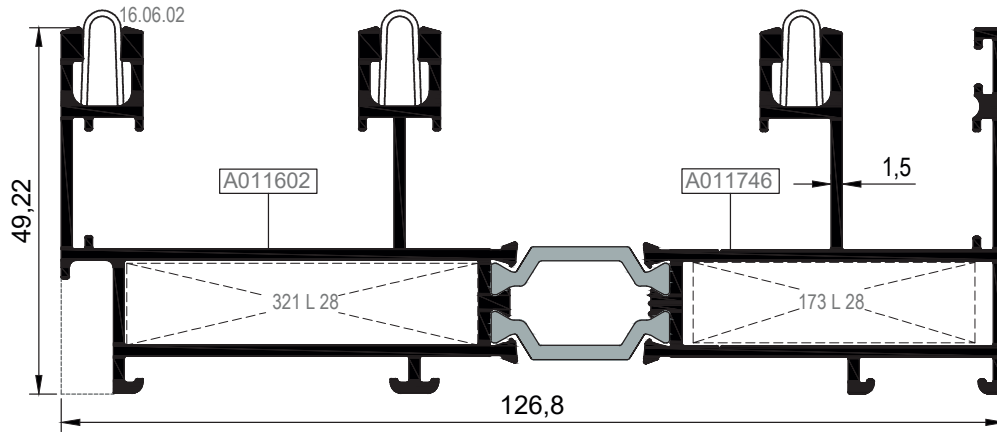
KOD / CODE	AĞIRLIK (kg/m) / WEIGHT	Jxx cm ⁴	Jyy cm ⁴	L m
ATS58F11	2,861	----	----	6
ATS58F12	2,323	----	----	6



ATS58F11
Sineklik Kanadı İçin Kasa

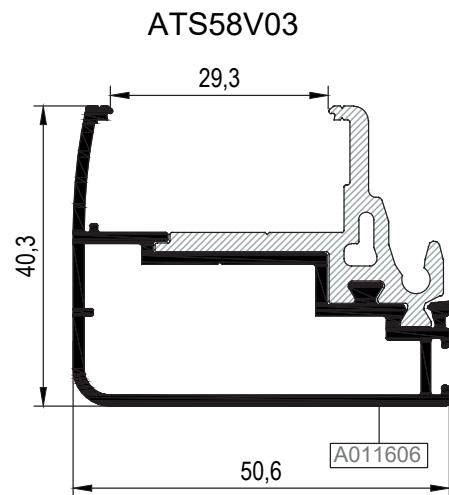
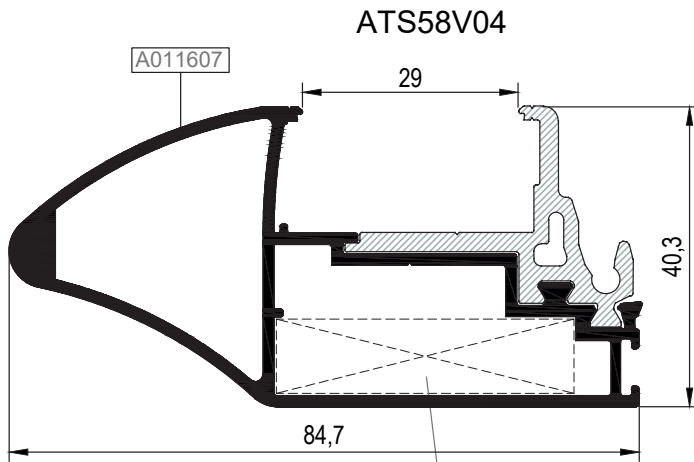
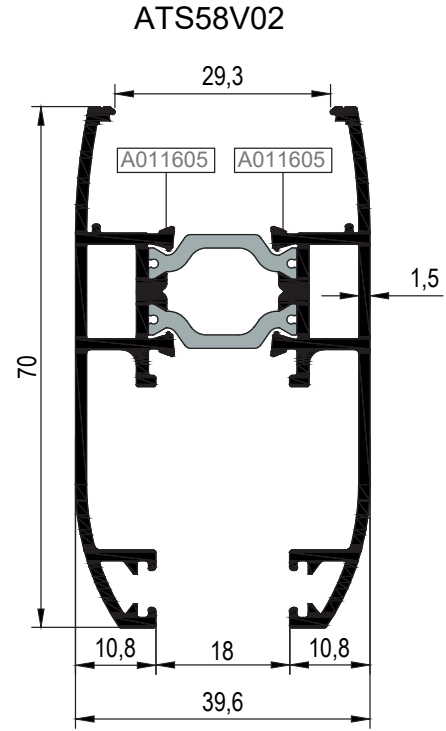
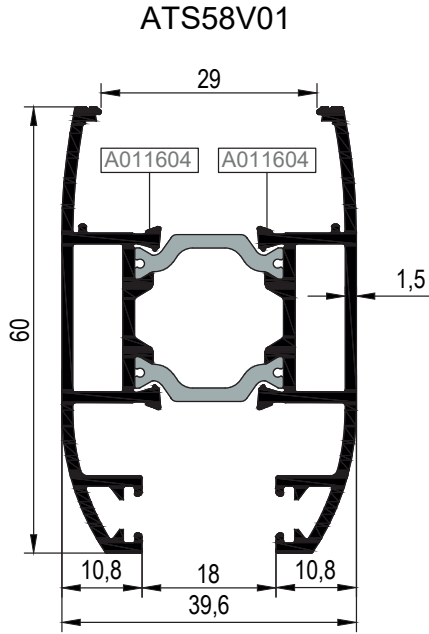


ATS58F12
Sineklik Kanadı İçin Kasa

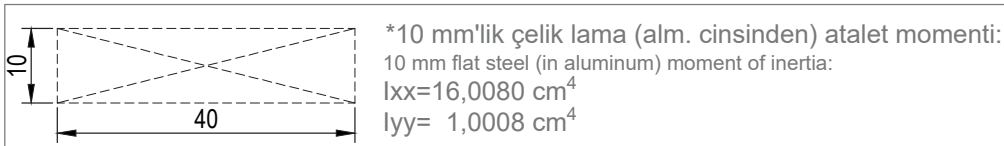


Nr		L m	KESİM ÖLÇÜSÜ CUTTING SIZE	AKS. KODU ACS. CODE
ATS58F11	A011602	25 L 28(A010542)	47,3 mm	321 L 28
	A011601	25 L 28(A010542)	26,3 mm	320 L 28
	A011598	25 L 28(A010542)	16,7 mm	319 L 28
ATS58F12	A011602	25 L 28(A010542)	47,3 mm	321 L 28
	A011746	25 L 28(A010542)	37,9 mm	173 L 28

KOD / CODE	AĞIRLIK (kg/m) / WEIGHT	J _{xx} cm ⁴	J _{yy} cm ⁴	L m
ATS58V01	1,218	7,282	9,920	6
ATS58V02	1,290	8,112	15,440	6
ATS58V03	1,020	7,838	3,041	6
ATS58V04	1,444	26,799	5,616	6

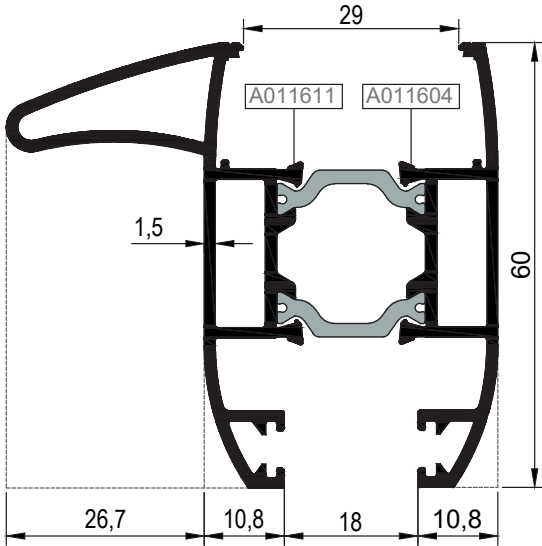


* Statiği arttırmak amacı ile profilin içine 10 mm'lik çelik lama konulabilir.
In order to increase the static, 10 mm flat steel can be inserted into the profile.

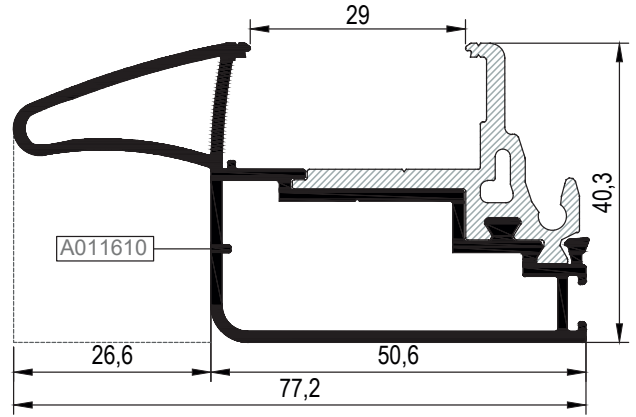


KOD / CODE	AĞIRLIK (kg/m) / WEIGHT	J _{xx} cm ⁴	J _{yy} cm ⁴	L m	
ATS58V07	1,257	16,568	5,288	6	
ATS58V08	1,455	13,995	13,842	6	
ATS58V15	1,198	----	----	6	
ATS58V14	1,174	----	----	6	
ATS58V16	1,949	----	----	6	

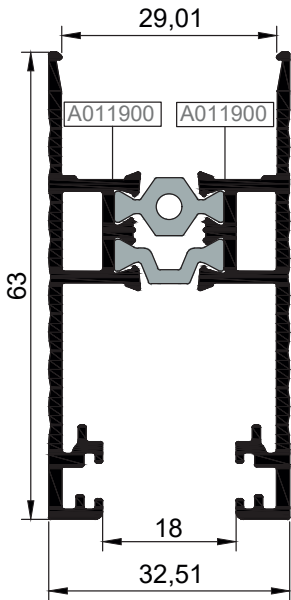
ATS58V08



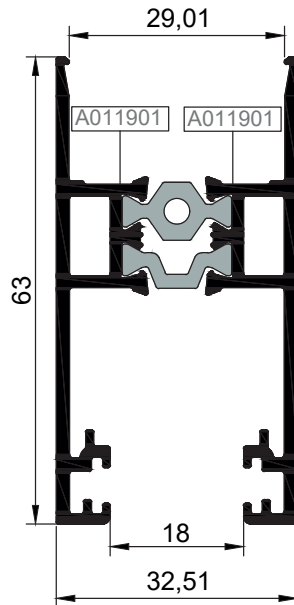
ATS58V07



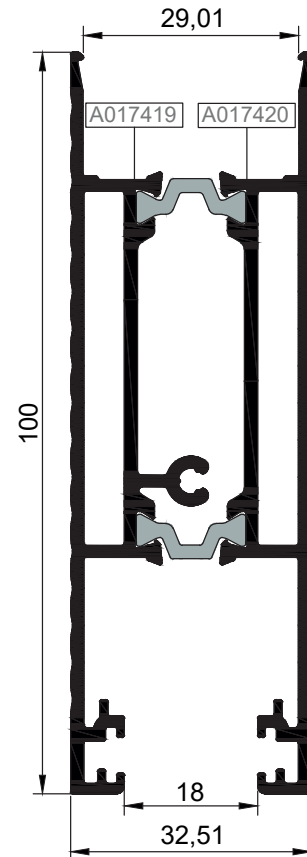
ATS58V14



ATS58V15



ATS58V16



01

02

03

04

05

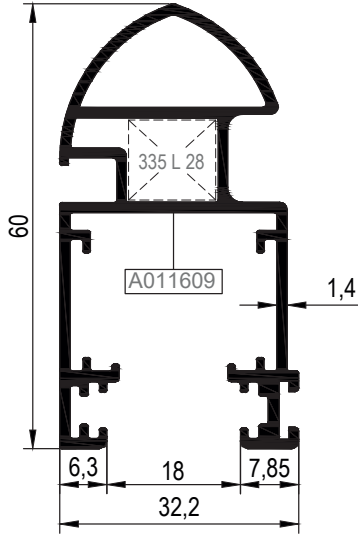
06

07

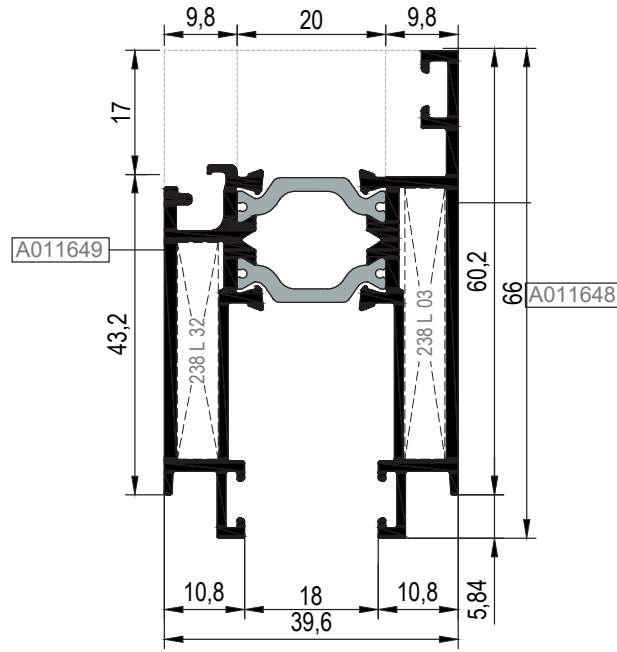
KOD / CODE	AĞIRLIK (kg/m) / WEIGHT	Jxx cm ⁴	Jyy cm ⁴	L m
TS58 V 06	0,917	4,270	10,506	6
ATS58V13	1,303	7,267	9,222	6
TS58 A 05	0,525	-----	-----	6
25 G 36	0,121	-----	-----	6



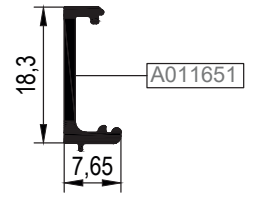
TS58 V 06



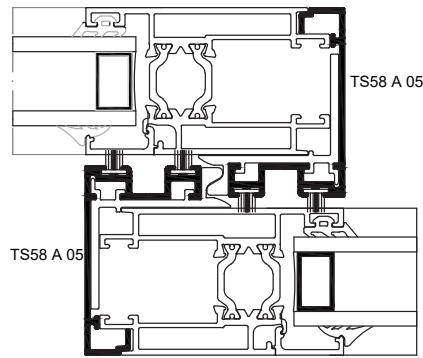
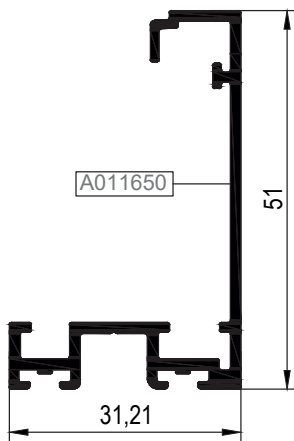
ATS58V13



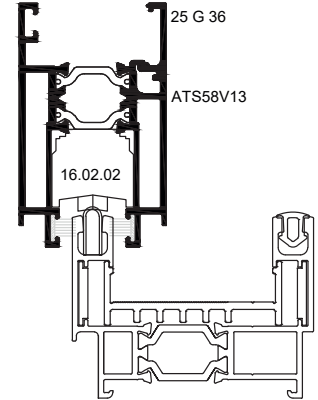
25 G 36



TS58 A 05



Ölçek / Scale : 1 / 2



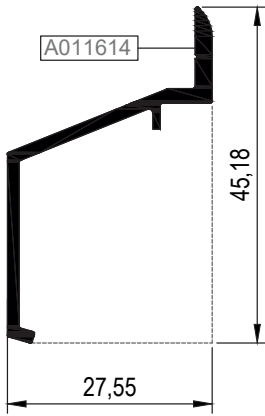
Ölçek / Scale : 1 / 2

Nr		L m	KESİM ÖLÇÜSÜ CUTTING SIZE	AKS. KODU ACS. CODE
ATS58V13	A011649	25 L 32(A002430)	5,5 mm	238 L 32
	A011648	25 L 03(A002021)	5,5 mm	238 L 03
TS58 V 06	A011609	25 L 28(A010542)	12,0 mm	335 L 28

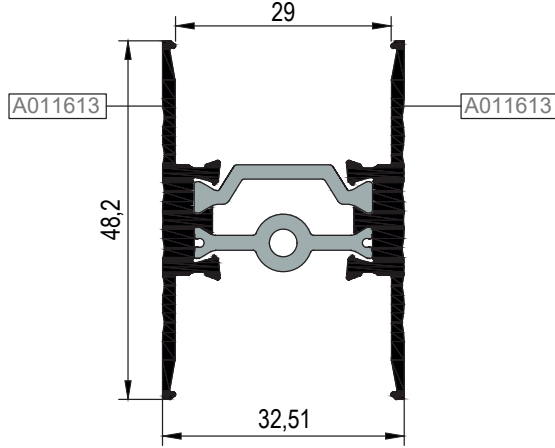
KOD / CODE	AĞIRLIK (kg/m) / WEIGHT	Jxx cm ⁴	Jyy cm ⁴	L m
TS58 A 01	0,314	1,331	1,605	6
TS58 A 02	0,139	-----	-----	6
TS58 A 03	0,170	-----	-----	6
TS58 A 04	0,617	-----	-----	6
ATS58M01	0,901	4,270	3,041	6
T79 A 02	0,070	-----	-----	6
TS58 A 06	0,467	-----	-----	6



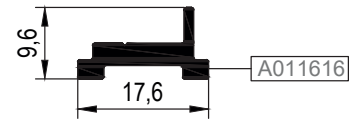
TS58 A 01



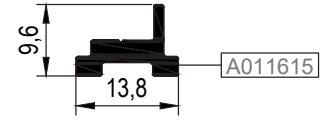
ATS58M01



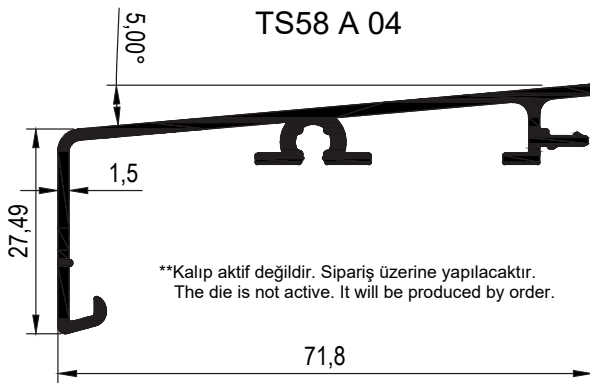
TS58 A 03



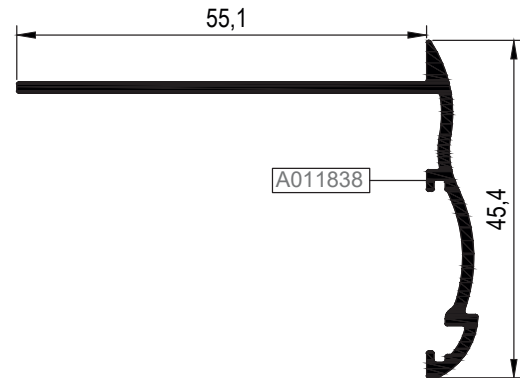
TS58 A 02



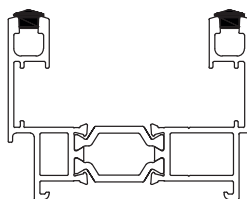
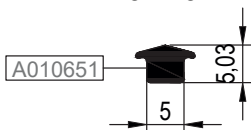
TS58 A 04



TS58 A 06



T79 A 02



01

02

03

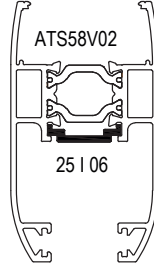
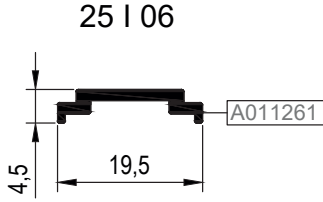
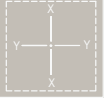
04

05

06

07

KOD / CODE	AĞIRLIK (kg/m) / WEIGHT	Jxx cm ⁴	Jyy cm ⁴	L m
25 I 06	0,104	-----	-----	6

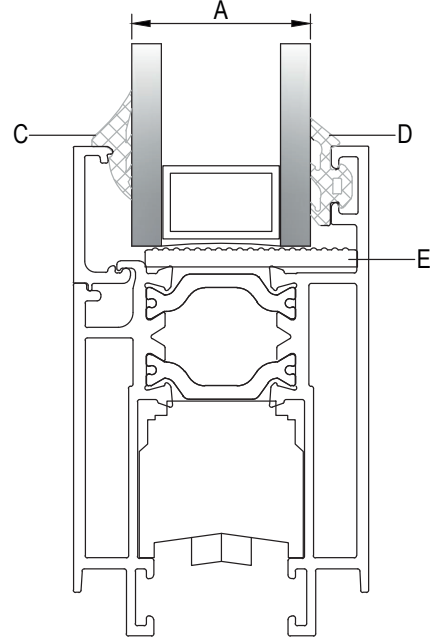
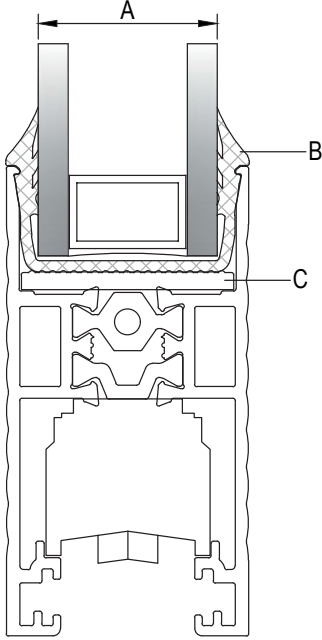


Ölçek/Scale: 1:2

PROFİL KODU (PROFILE CODE)	25 L 28	25 L 03	25 L 32
FABRİKA KODU(FACTORY CODE)	A010542	A002021	A002430
AĞIRLIK (WEIGHT)	3,689 kg/m	4,315 kg/m	3,702 kg/m
ÇİZİM (DRAWING)			

KÖŞE TAKOZLARI (CORNER CLEATS)

Nr	AKS. KODU ACS. CODE	KESİM ÖLÇÜSÜ CUTTING SIZE	L m	AKS. KODU ACS. CODE
ATS58F01	A011597	25 L 28(A010542)	7,3 mm	318 L 28
	A011598	25 L 28(A010542)	16,7 mm	319 L 28
ATS58F02	A011597	25 L 28(A010542)	7,3 mm	318 L 28
	A011599	25 L 28(A010542)	16,7 mm	319 L 28
ATS58F03	A011597	25 L 28(A010542)	7,3 mm	318 L 28
	A011600	25 L 28(A010542)	16,7 mm	319 L 28
ATS58F04	A011597	25 L 28(A010542)	7,3 mm	318 L 28
	A011598	25 L 28(A010542)	16,7 mm	319 L 28
	A011601	25 L 28(A010542)	26,3 mm	320 L 28
ATS58F05	A011597	25 L 28(A010542)	7,3 mm	318 L 28
	A011599	25 L 28(A010542)	16,7 mm	319 L 28
	A011601	25 L 28(A010542)	26,3 mm	320 L 28
ATS58F06	A011597	25 L 28(A010542)	7,3 mm	318 L 28
	A011600	25 L 28(A010542)	16,7 mm	319 L 28
	A011601	25 L 28(A010542)	26,3 mm	320 L 28
ATS58F07	A011598	25 L 28(A010542)	16,7 mm	319 L 28
	A011602	25 L 28(A010542)	47,3 mm	321 L 28
ATS58F08	A011603	25 L 28(A010542)	7,3 mm	318 L 28
	A011598	25 L 28(A010542)	16,7 mm	319 L 28
ATS58F09	-----	25 L 28(A010542)	7,3 mm	318 L 28
	A011599	25 L 28(A010542)	16,7 mm	319 L 28
ATS58F10	A011597	25 L 28(A010542)	7,3 mm	318 L 28
	A011746	25 L 28(A010542)	37,9 mm	173 L 28
ATS58F11	A011602	25 L 28(A010542)	47,3 mm	321 L 28
	A011601	25 L 28(A010542)	26,3 mm	320 L 28
	A011598	25 L 28(A010542)	16,7 mm	319 L 28
ATS58V13	A011649	25 L 32(A002430)	5,5 mm	238 L 32
	A011648	25 L 03(A002021)	5,5 mm	238 L 03



ÇİTALİ KANAT / VENT WITH GLAZING BEAD

01

02

03

04

05

06

07

U TİP FİTİL İÇİN CAM TABLOSU
GLASS TABLE FOR U GASKET

	-A- CAM KALINLIĞI GLASS THICKNESS	-B- CAM FİTİLİ GLAZING GASKET	-C- CAM TAKOZU GLASS SUPPORT
1	20 mm.	01.16.18	11.02.20
2	22 mm.	01.16.17	11.02.20
3	24 mm.	01.16.16	11.02.20

KAMA TİP FİTİL İÇİN CAM KALINLIKLARI TABLOSU
GLASS TABLE FOR GLAZING GASKET

	-A- CAM KALINLIĞI GLASS THICKNESS	-C- DIŞ CAM FİTİLİ OUTER GLAZING GASKET	-D- İÇ CAM FİTİLİ INNER GLAZING GASKET	-E- CAM TAKOZU GLASS SUPPORT
1	24 mm.	01.16.19	01.17.08	11.02.20
2	22 mm.	01.16.19	01.17.23	11.02.20

STOKTA BULUNAN SİSTEM PROFİLLERİNİN LİSTESİ

(LIST OF SYSTEM PROFILES IN STOCK)

Nr			MIN. SİPARİŞ MİKTARI MIN. ORDER QUANTITY
ATS58F01	A011597	75 kg	150 kg
	A011598	75 kg	
ATS58F02	A011597	75 kg	150 kg
	A011599	75 kg	
ATS58F03	A011597	75 kg	150 kg
	A011600	75 kg	
ATS58F04	A011597	75 kg	150 kg
	A011598	75 kg	
ATS58F07	A011602	75 kg	150 kg
	A011598	75 kg	
ATS58V01	A011604	75 kg	150 kg
	A011604	75 kg	
ATS58V02	A011605	75 kg	150 kg
	A011605	75 kg	
ATS58V09	A011612	75 kg	150 kg
	A011612	75 kg	
ATS58V13	A011648	75 kg	150 kg
	A011649	75 kg	
ATS58V14	A011900	75 kg	150 kg
	A011900	75 kg	
ATS58V15	A011901	75 kg	150 kg
	A011901	75 kg	
TS58 V 06	A011609	75 kg	
TS58 V 10	A011607	75 kg	
TS58 V 11	A011610	75 kg	
TS58 V 12	A011606	75 kg	
TS58 A 05	A011650	75 kg	

* STOKTA BULUNMAYAN TÜM PROFİLLER İÇİN MİNİMUM SİPARİŞ MİKTARI 300 KG'DİR.

MINIMUM ORDER QUANTITY FOR ALL THE PROFILES THAT ARE NOT IN STOCK IS 300 KG.

MİMARİ KATALOG
ARCHITECTURAL CATALOGUE

Alüminyum Kapı Pencere ve Giydirme Cephe Sistemleri
Aluminium Door Window and Facade Systems

RST58

DETAYLAR

DETAILS

01

02

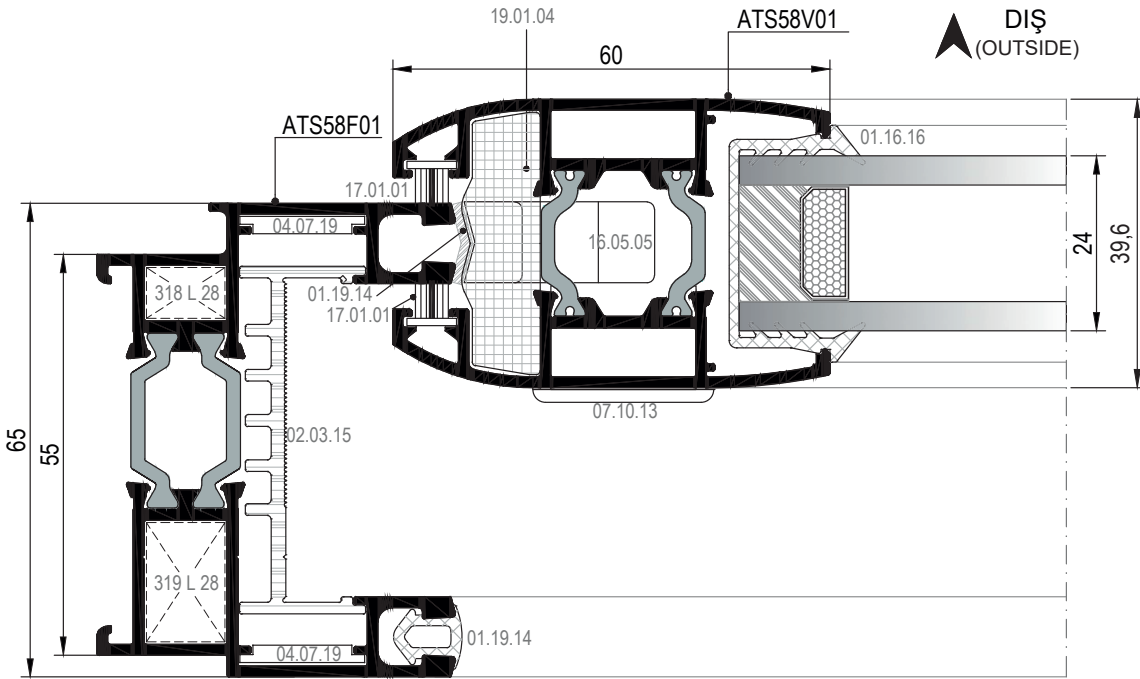
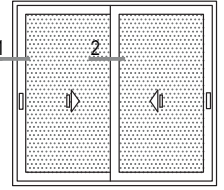
03

04

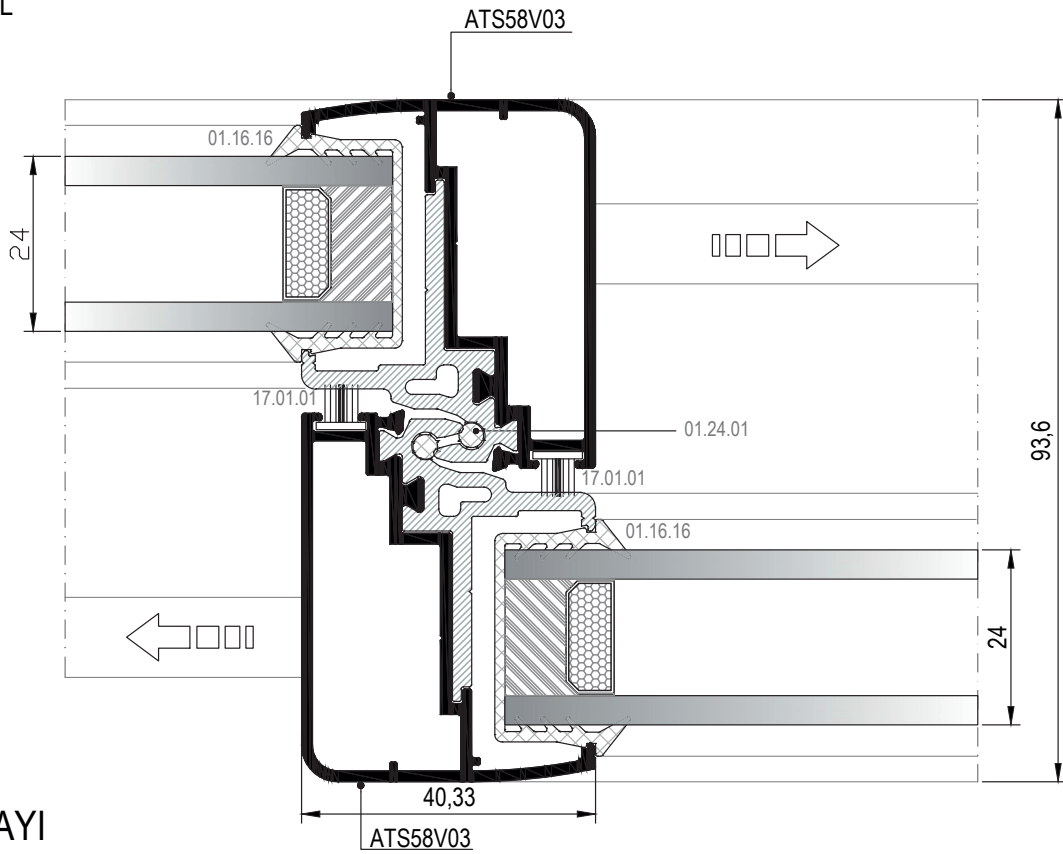
05

06

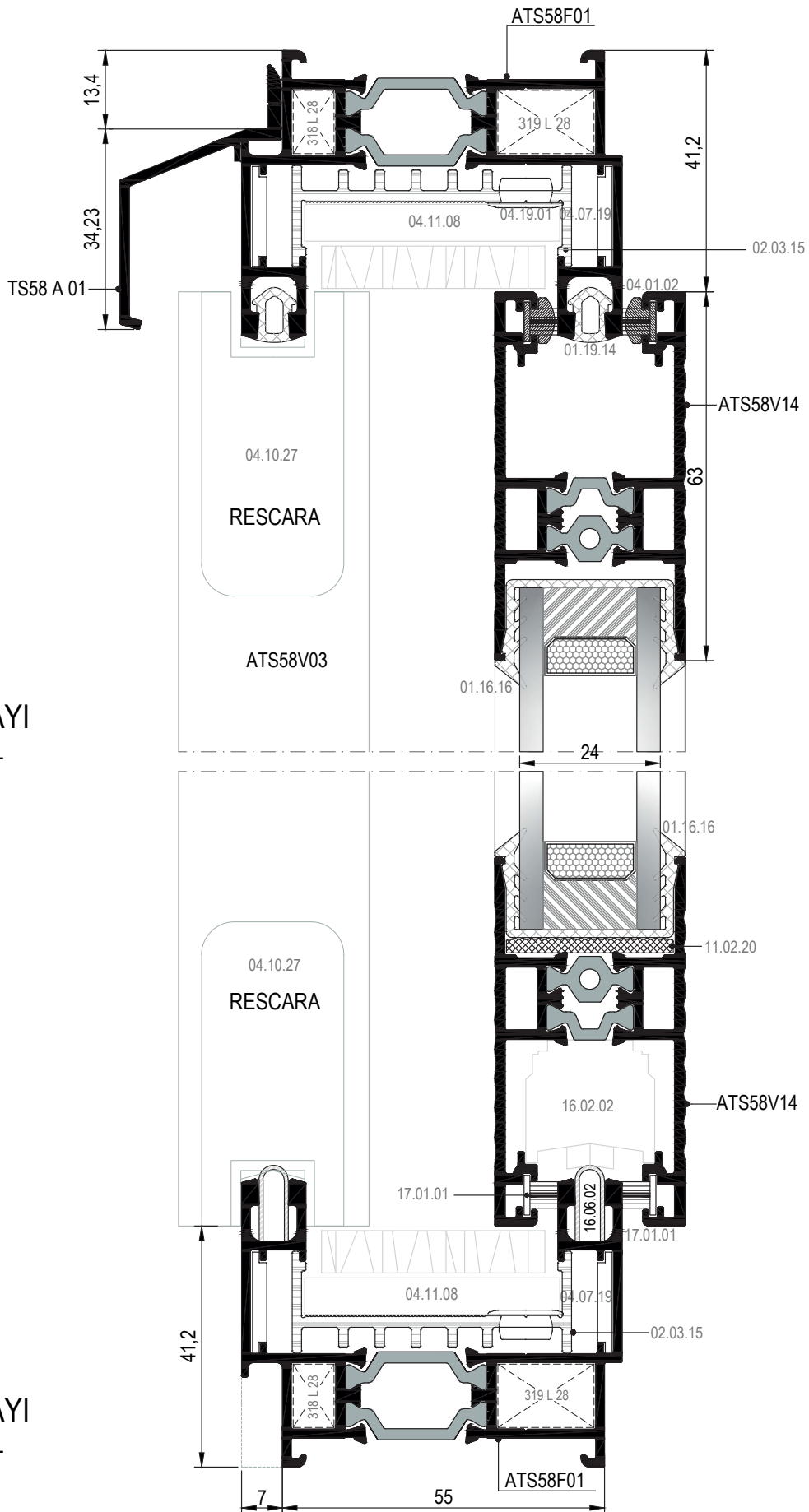
07



① DETAYI
DETAIL



② DETAYI
DETAIL



③ DETAYI
DETAIL

④ DETAYI
DETAIL

01

02

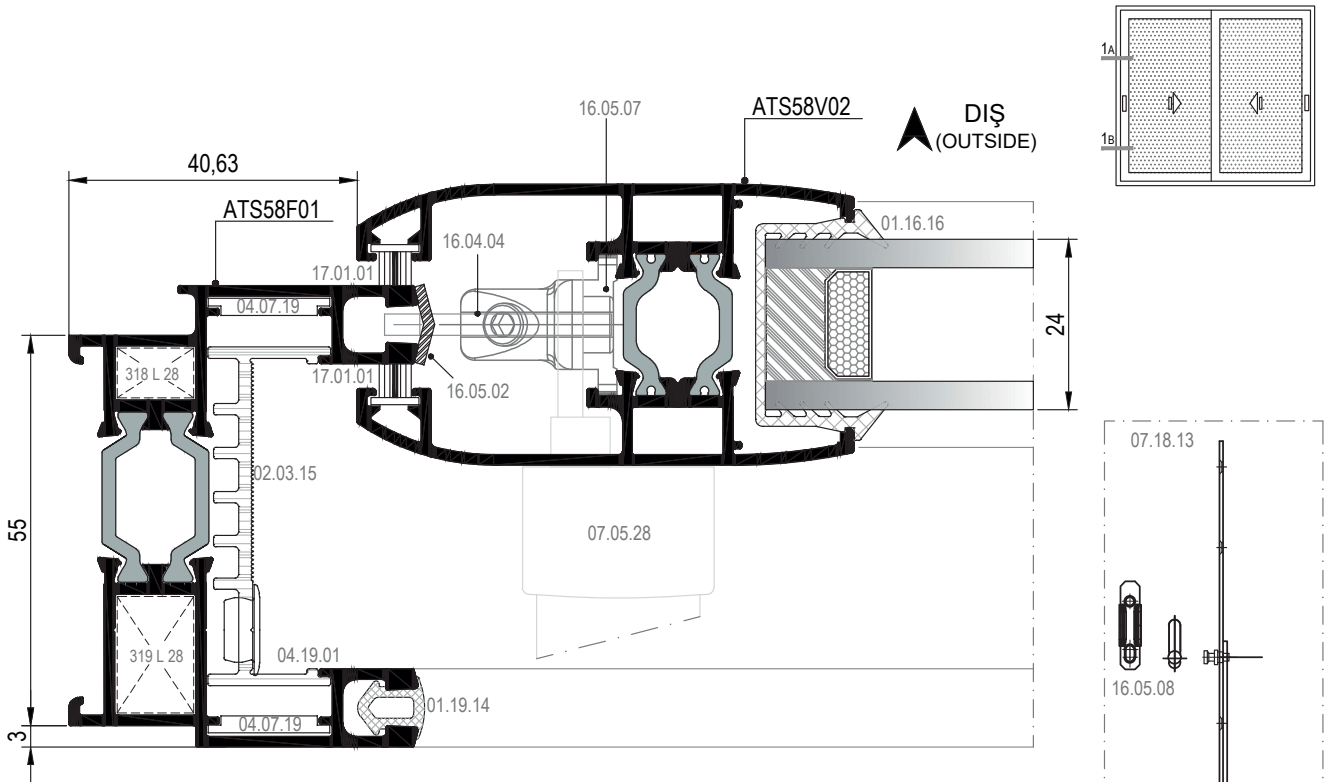
03

04

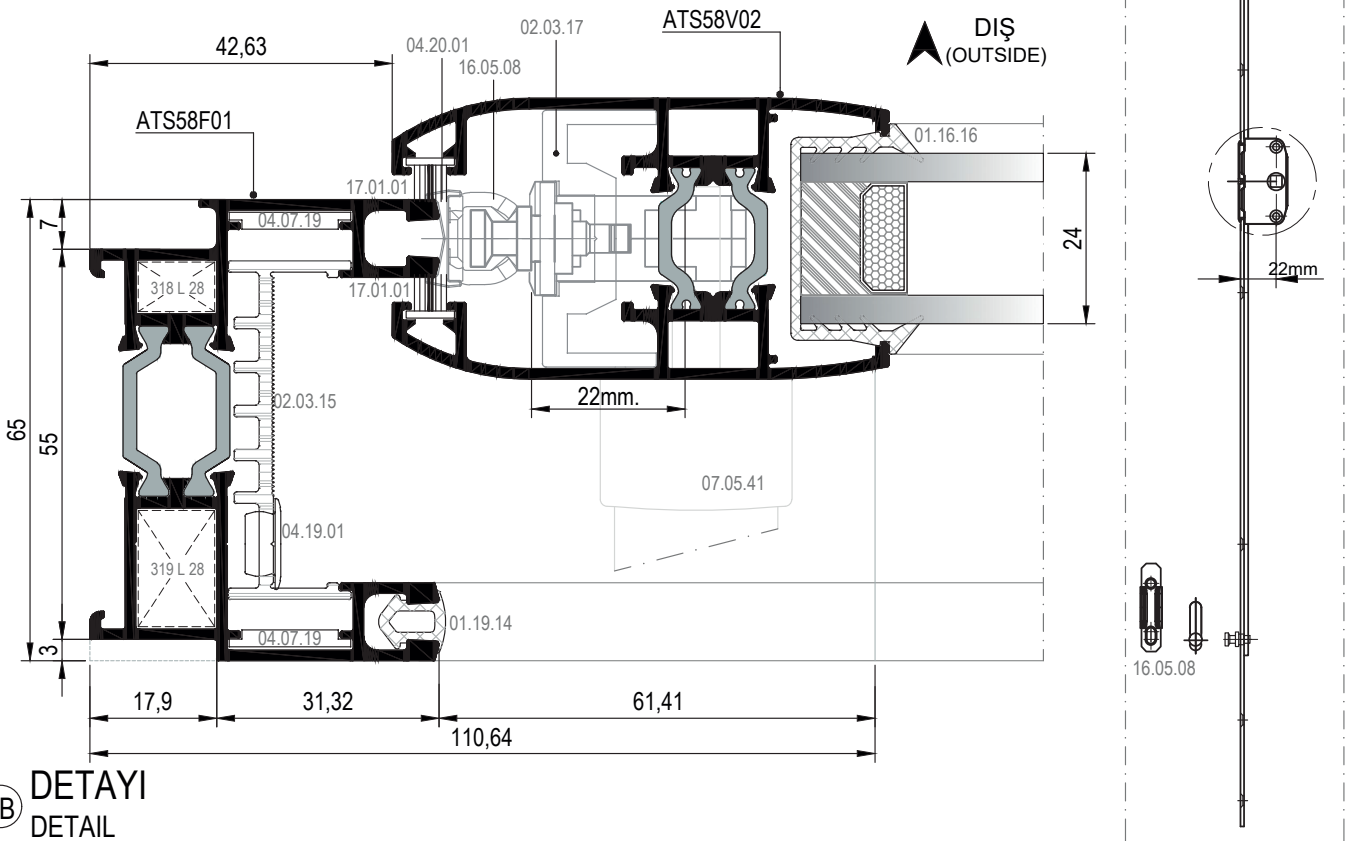
05

06

07



1A DETAYI
DETAIL



1B DETAYI
DETAIL

01

02

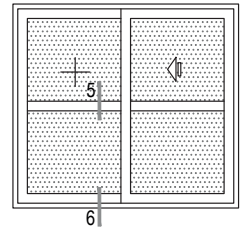
03

04

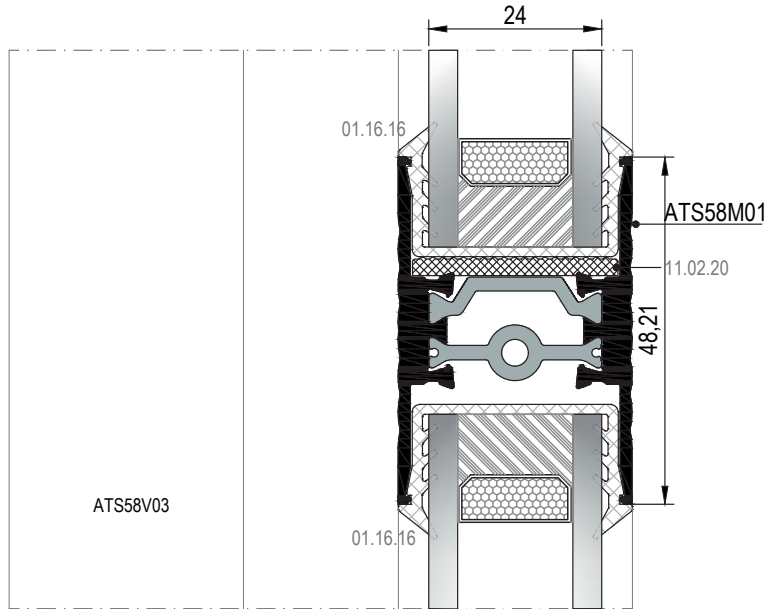
05

06

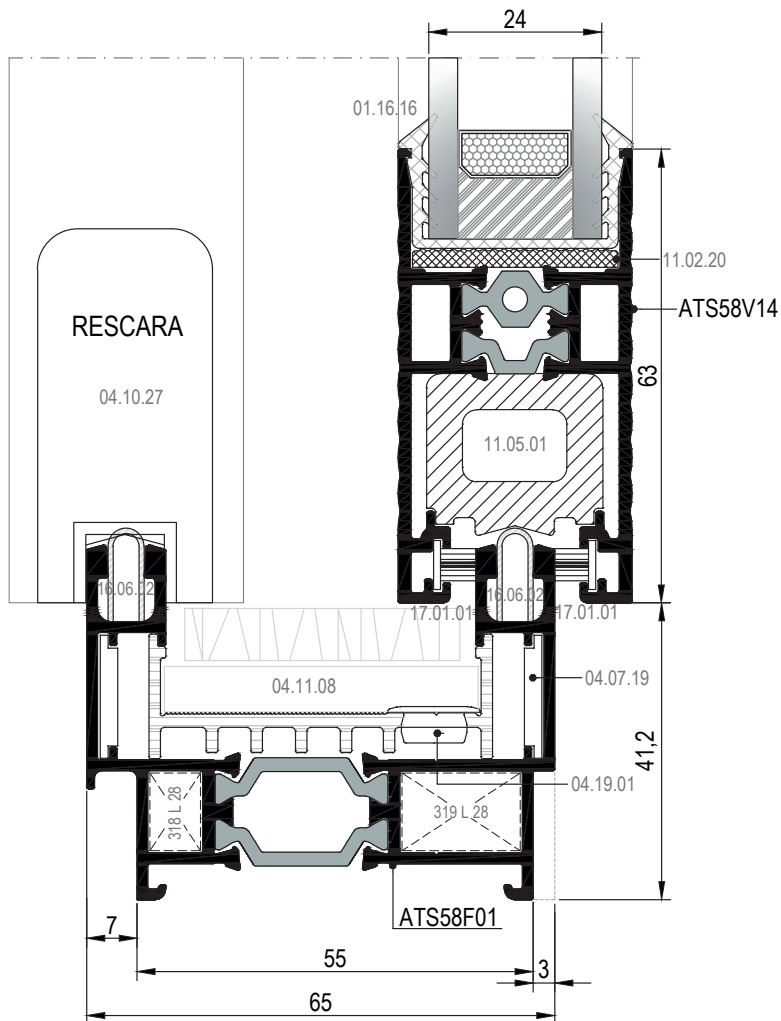
07



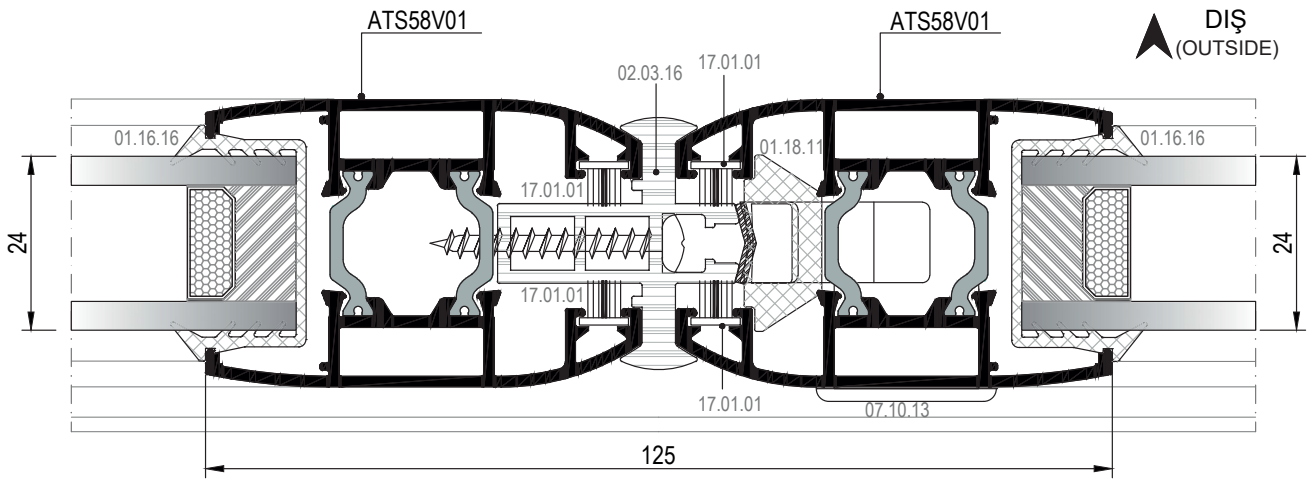
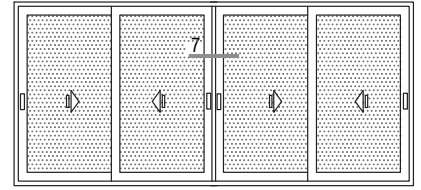
⑤ DETAYI
DETAIL



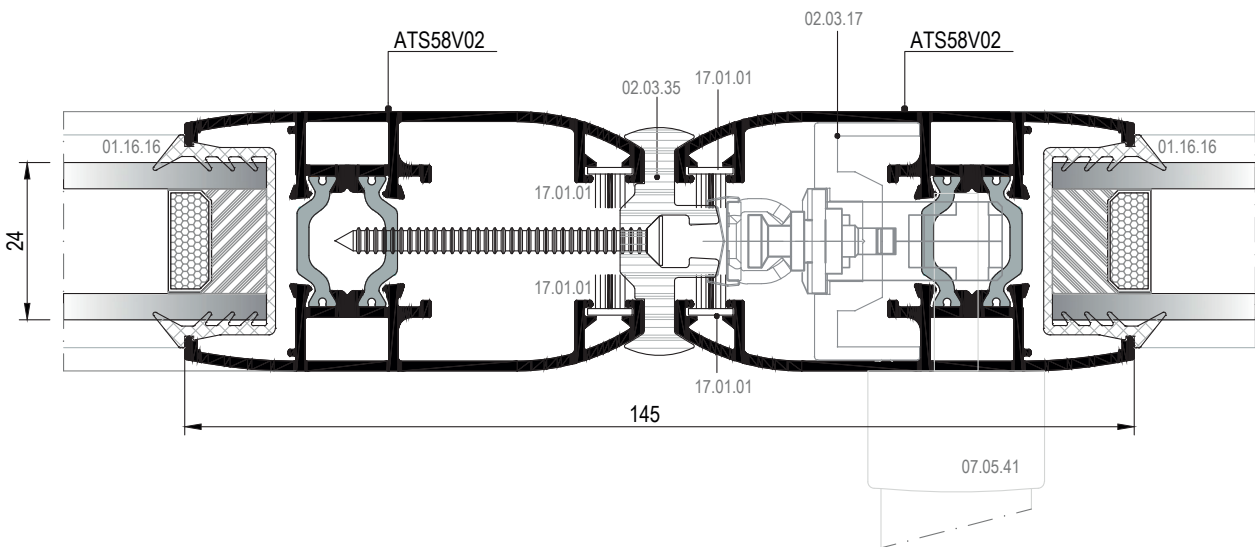
⑥ DETAYI
DETAIL



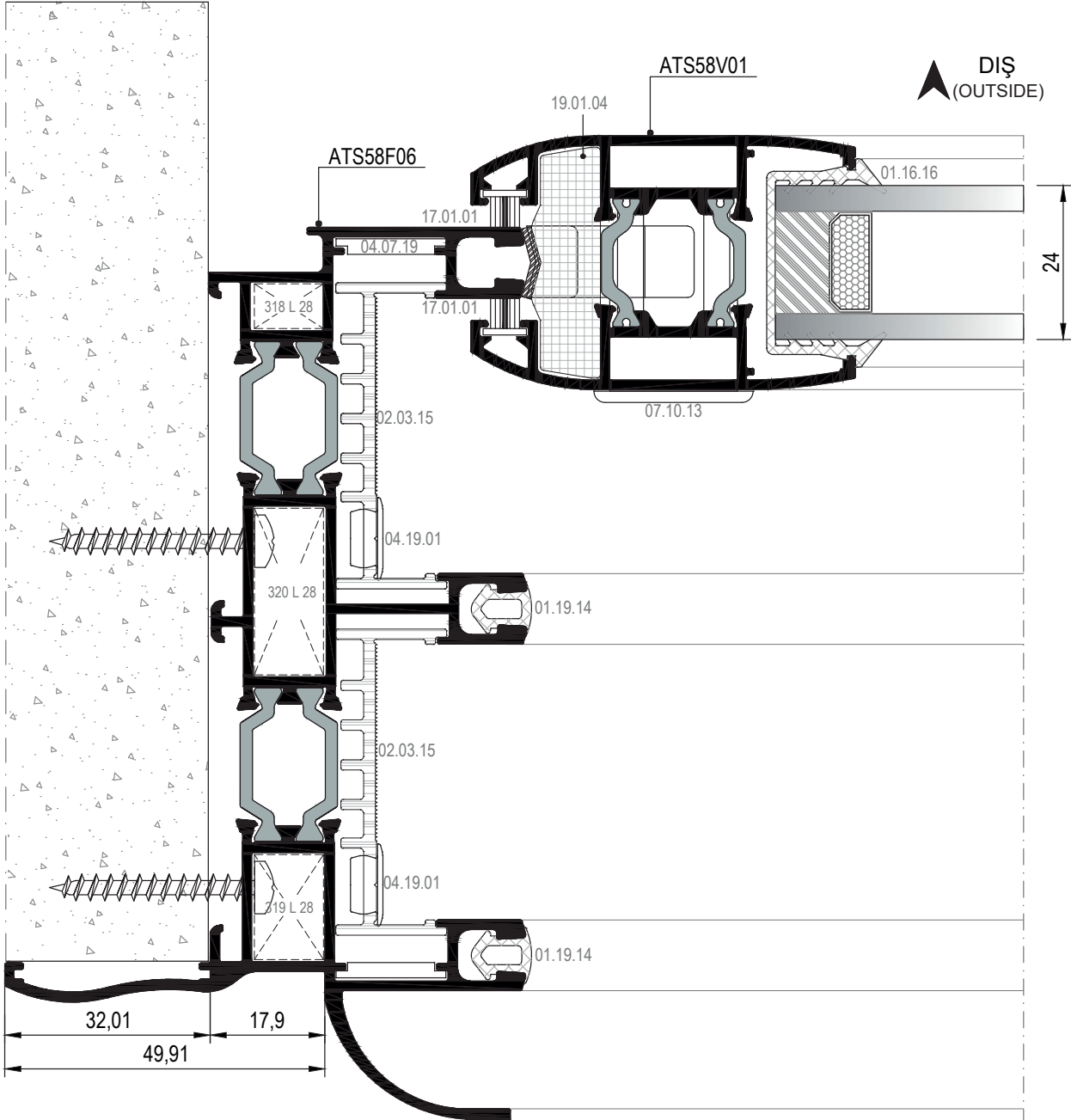
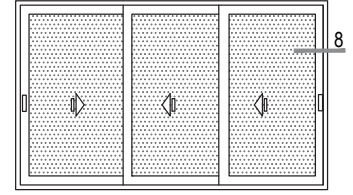
01
02
03
04
05
06
07



7 DETAYI
DETAIL



7A DETAYI
DETAIL



01

02

03

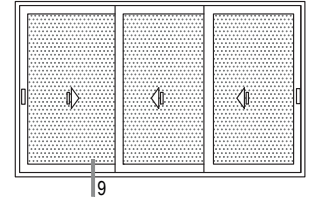
04

05

06

07

⑧ DETAYI
DETAIL



01

02

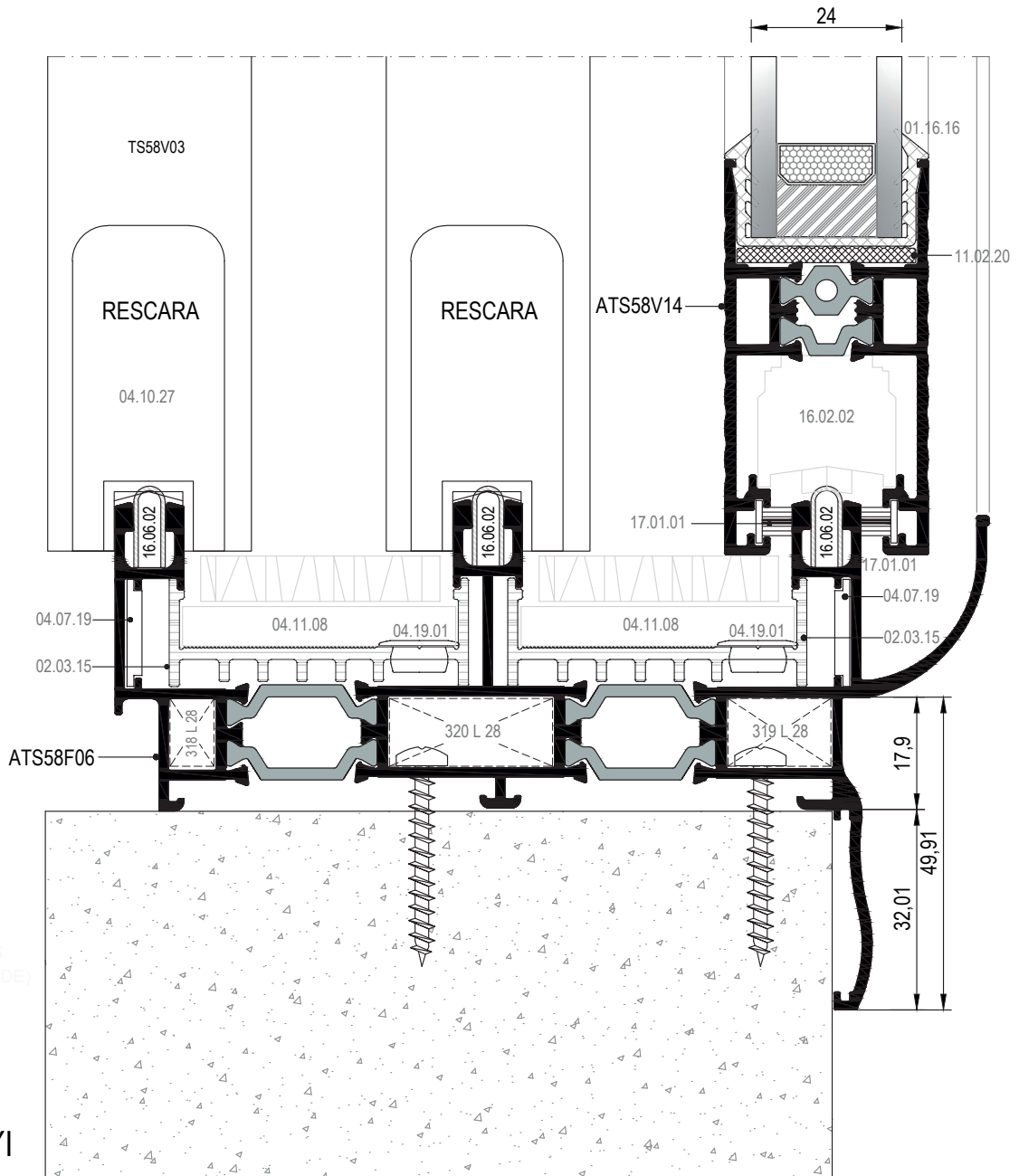
03

04

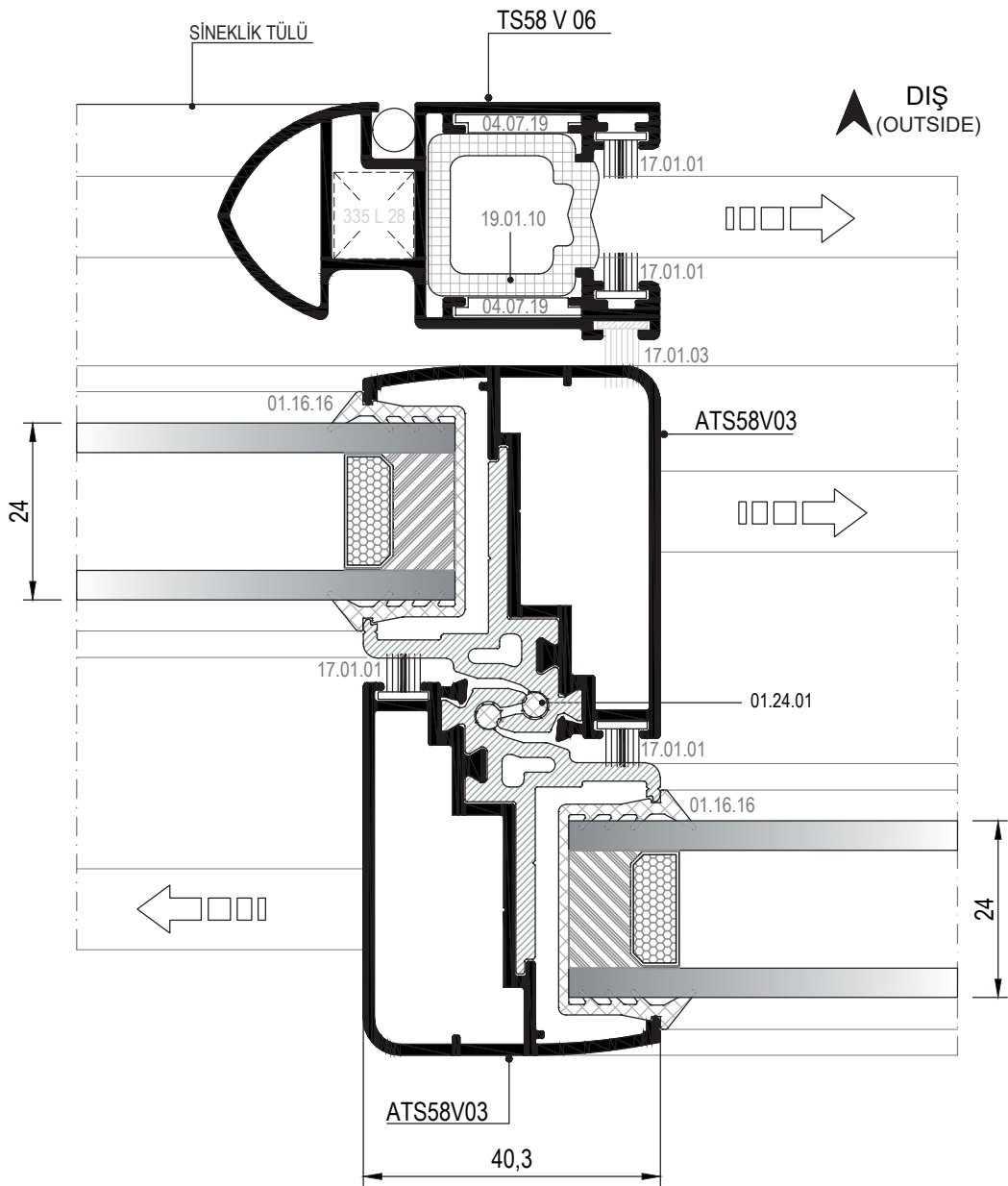
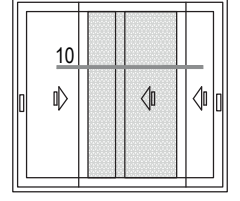
05

06

07



9 DETAYI
DETAIL



01

02

03

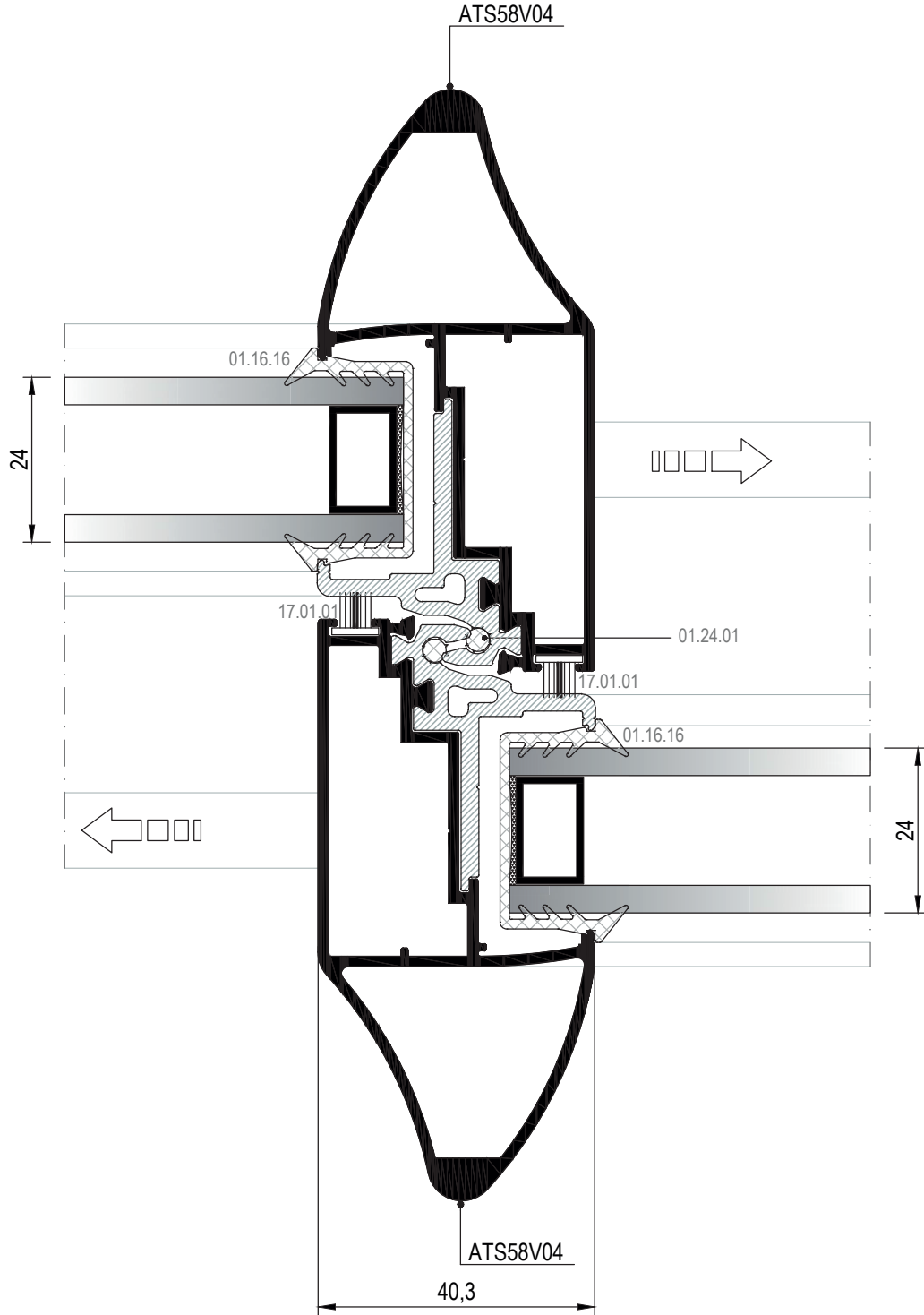
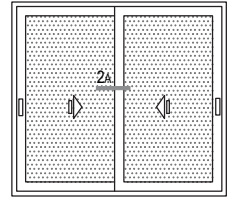
04

05

06

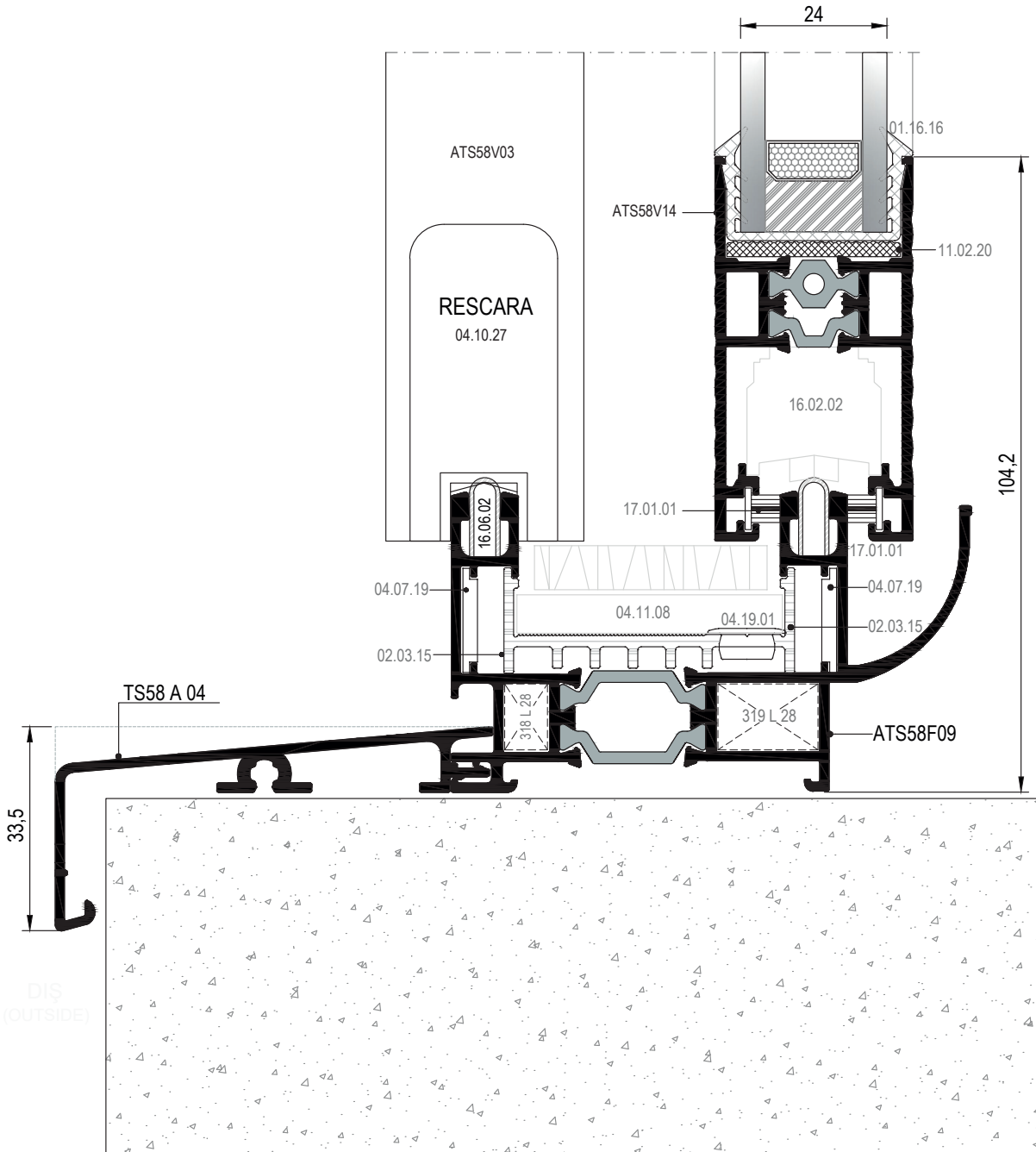
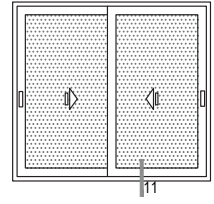
07

10 DETAYI
DETAIL



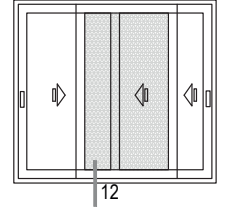
- 01
- 02
- 03
- 04
- 05
- 06
- 07

2A DETAYI
DETAIL



11 DETAYI
DETAIL

- 01
- 02
- 03
- 04
- 05
- 06
- 07



01

02

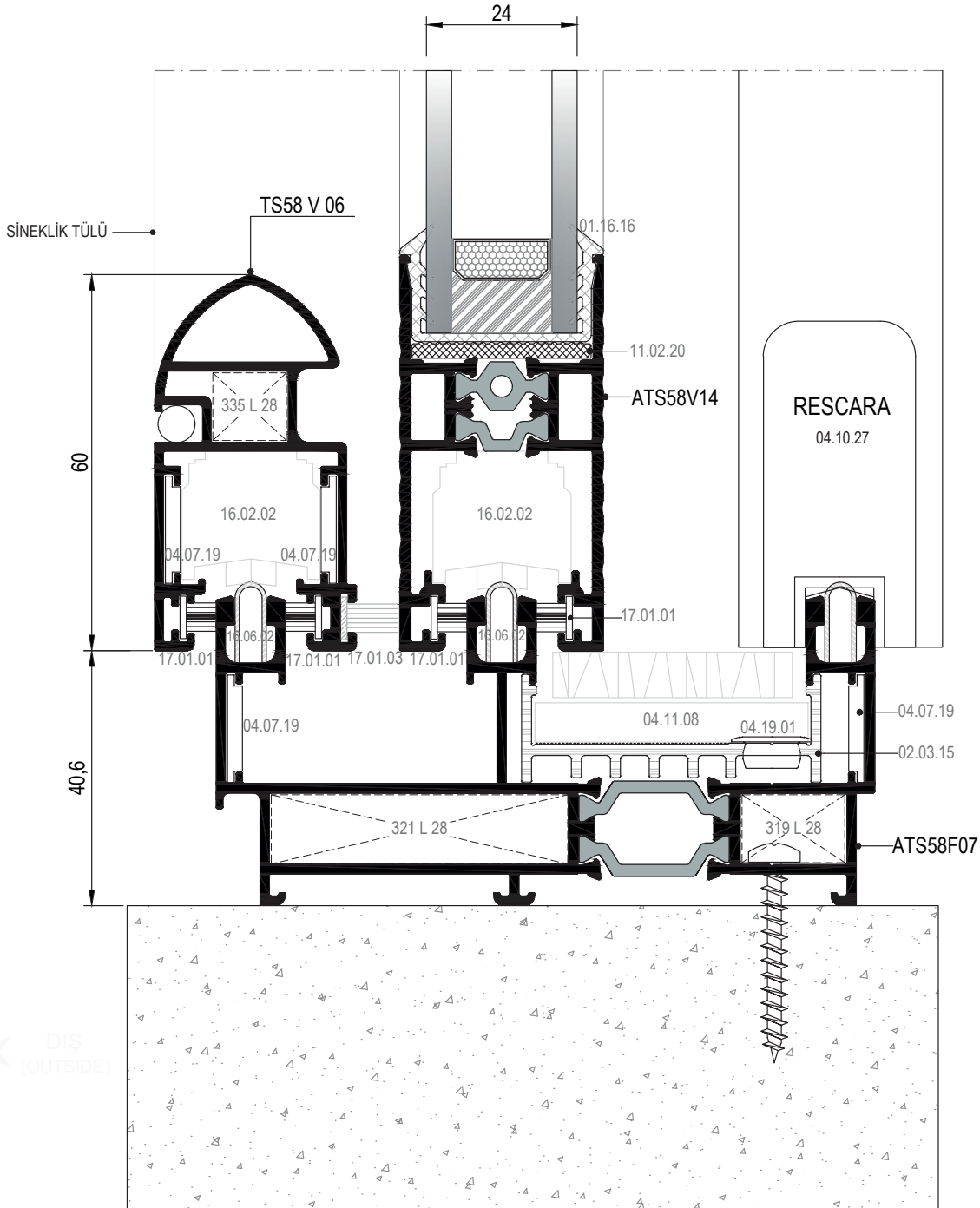
03

04

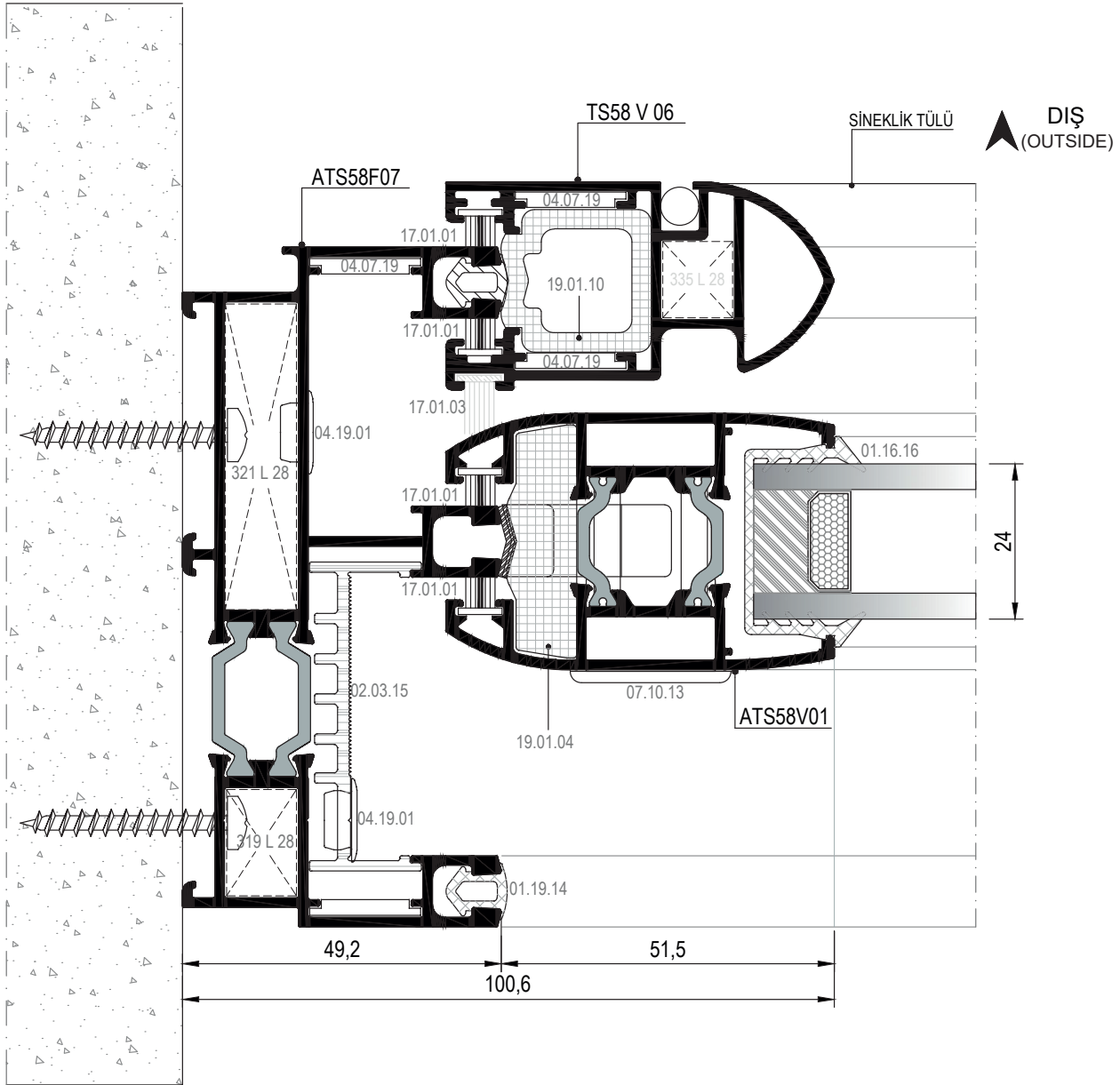
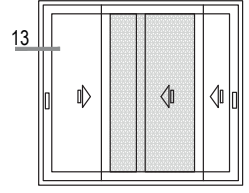
05

06

07

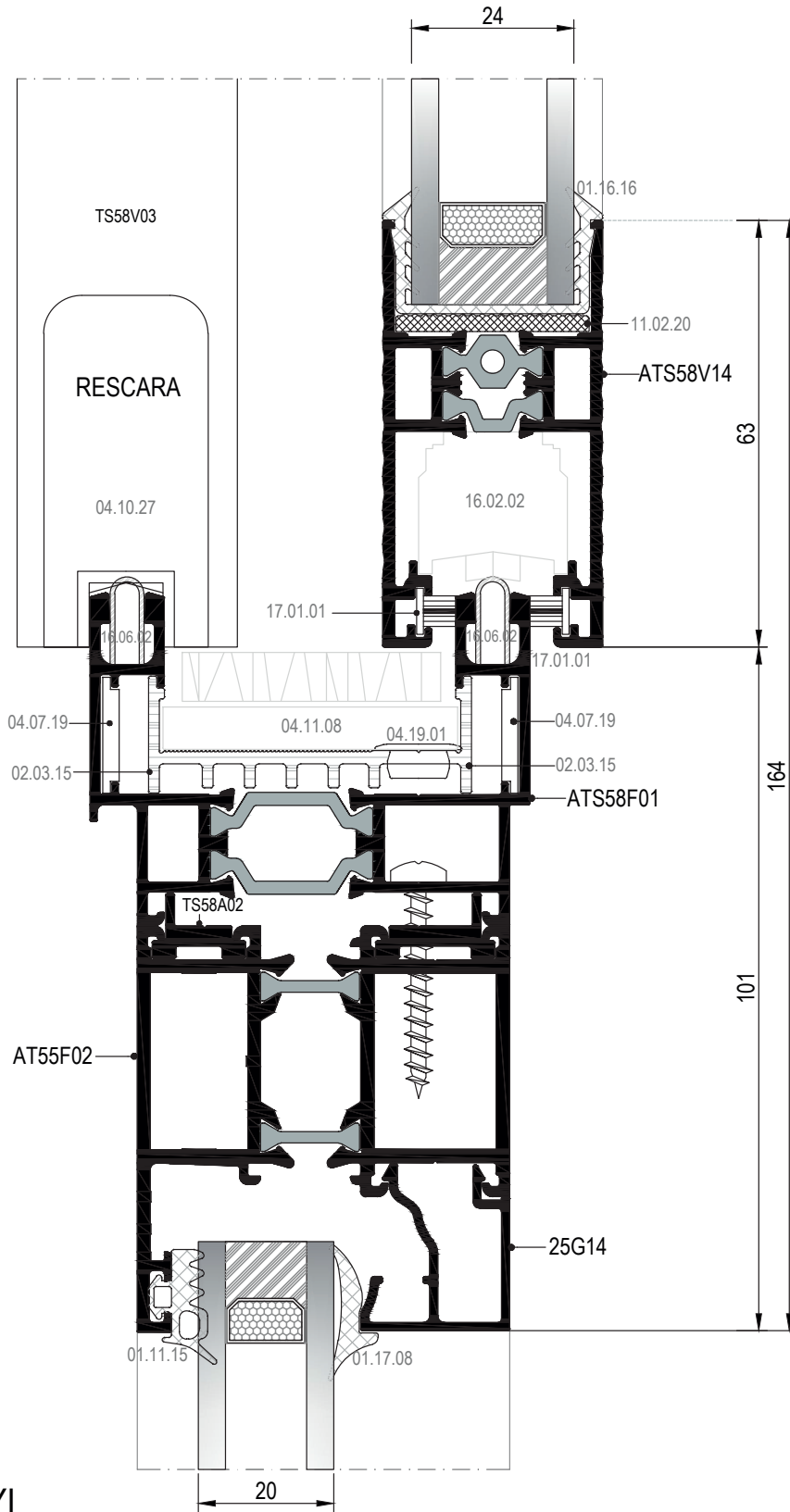
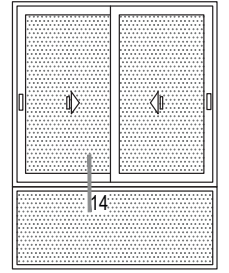


12 DETAYI
DETAIL

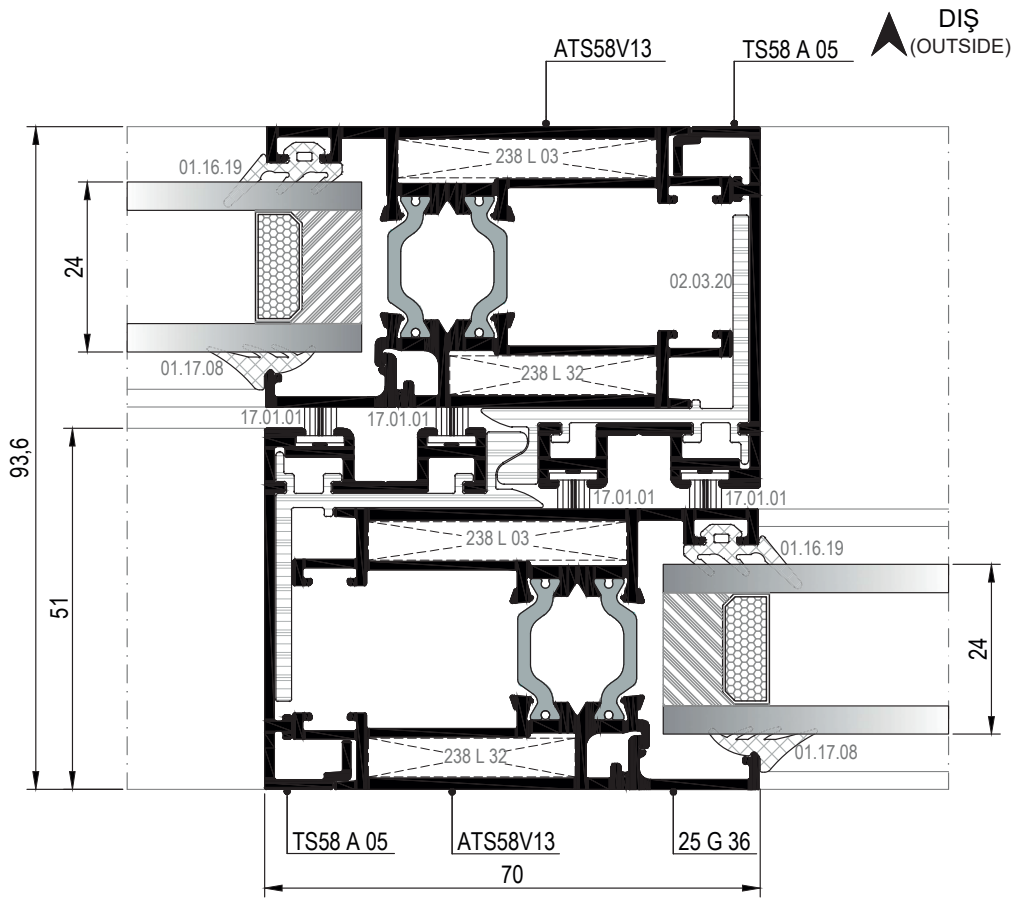
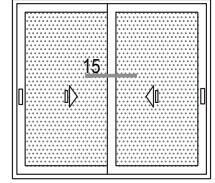


- 01
- 02
- 03
- 04
- 05
- 06
- 07

13 DETAYI
DETAIL



14 DETAYI
DETAIL



01

02

03

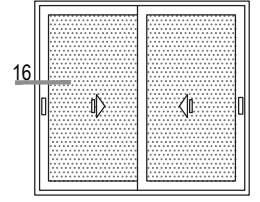
04

05

06

07

15 DETAYI
DETAIL



01

02

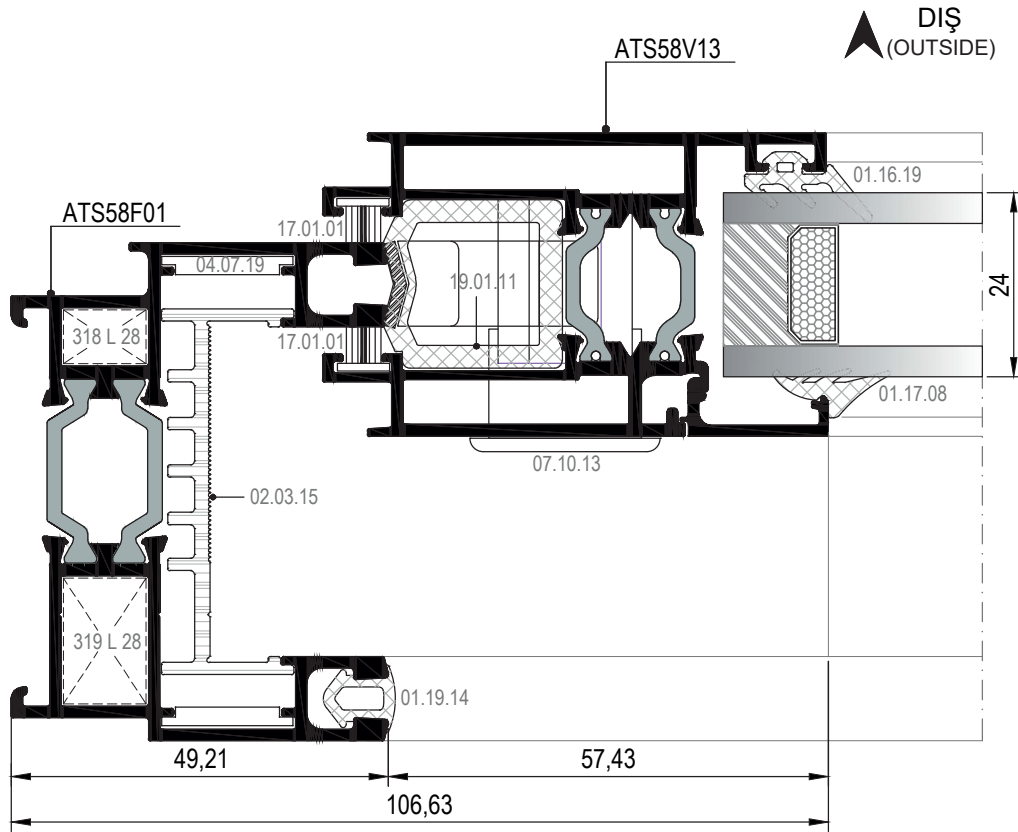
03

04

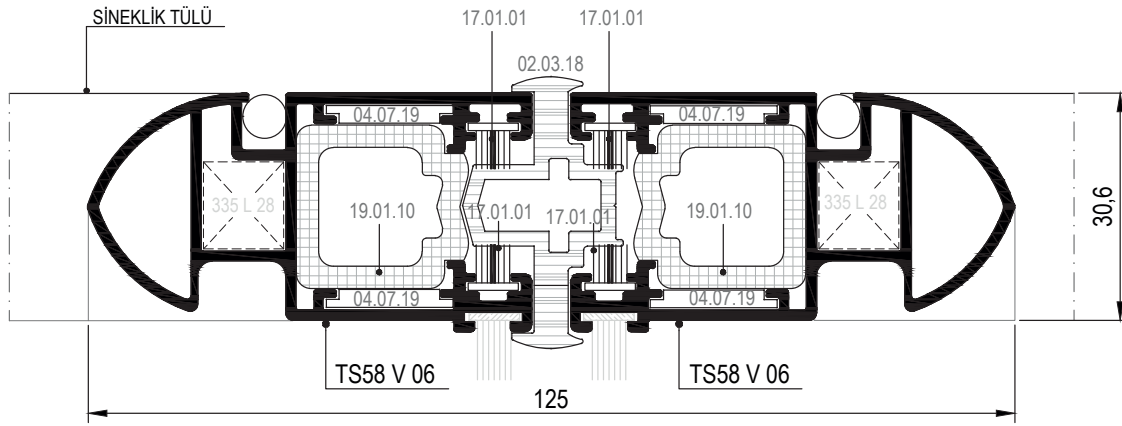
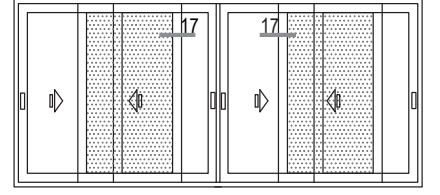
05

06

07



16 DETAYI
DETAIL



01

02

03

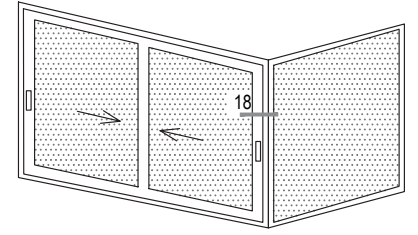
04

05

06

07

17 DETAYI
DETAIL



01

02

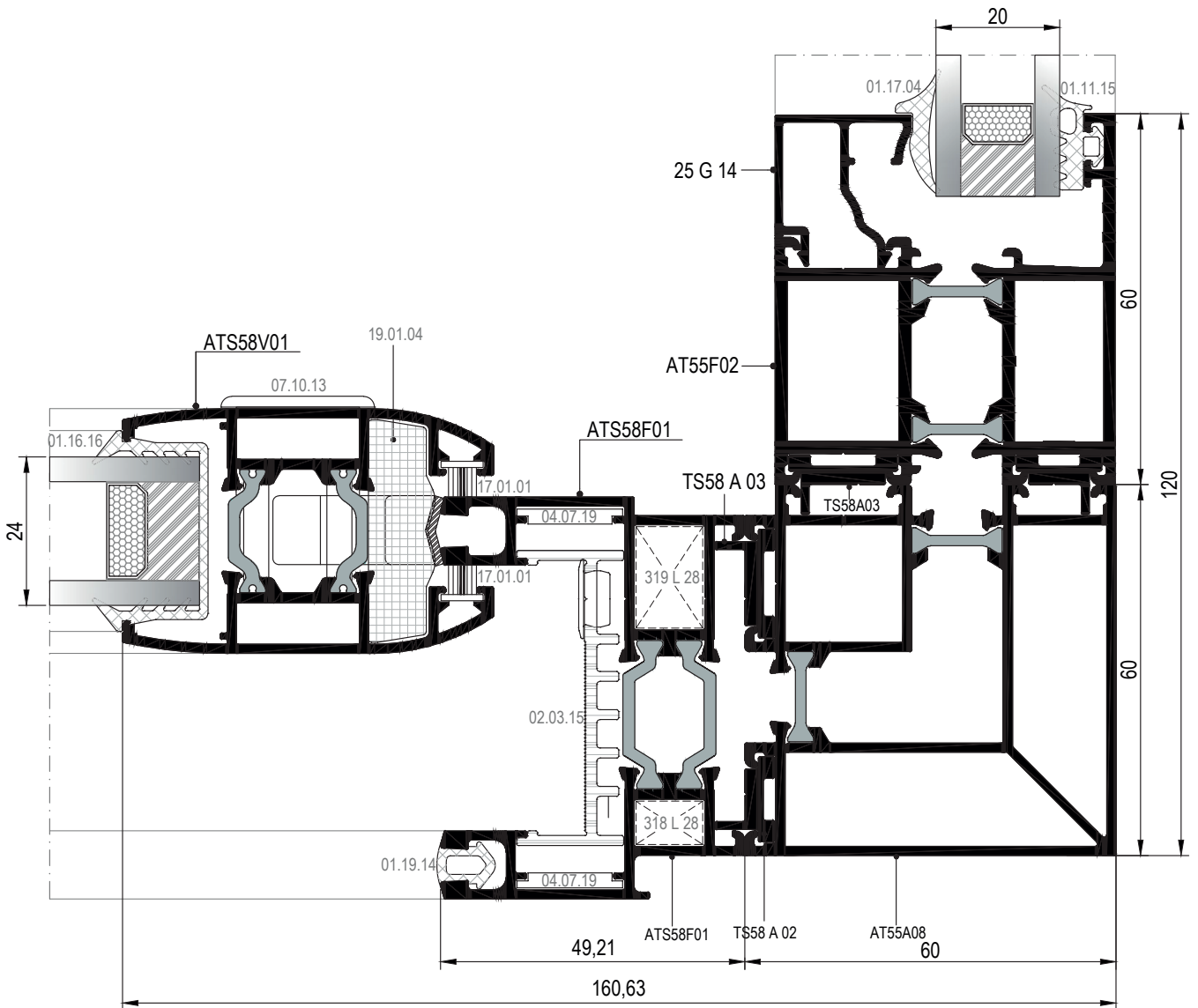
03

04

05

06

07



18 DETAYI
DETAIL

DIŞ
(OUTSIDE) ➔

MİMARİ KATALOG
ARCHITECTURAL CATALOGUE

Alüminyum Kapı Pencere ve Giydirme Cephe Sistemleri
Aluminium Door Window and Facade Systems

RST58

AKSESUARLAR

ACCESSORIES

01

02

03

04

05

06

07

	<p>01.16.16</p> <p>U TİPİ CAM FİTİLİ GLAZING GASKET</p> <p>Malzeme / Material : EPDM Ağırlık / Weight : 156 gr/m Paket / Package : 96 m / 15 kg</p>			<p>01.18.11</p> <p>ORTA BASMA FİTİLİ CENTRAL GASKET</p> <p>Malzeme / Material : EPDM Ağırlık / Weight : 208 gr/m Paket / Package : 72 m / 15 kg</p>	
01	<p>01.16.17</p> <p>U TİPİ CAM FİTİLİ GLAZING GASKET</p> <p>Malzeme / Material : EPDM Ağırlık / Weight : 200 gr/m Paket / Package : 75 m / 15 kg</p>			<p>01.19.14</p> <p>RAY FİTİLİ RAIL COVER GASKET</p> <p>Malzeme / Material : EPDM Ağırlık / Weight : 52 gr/m Paket / Package : 288 m / 15 kg</p>	
02	<p>01.16.18</p> <p>U TİPİ CAM FİTİLİ GLAZING GASKET</p> <p>Malzeme / Material : EPDM Ağırlık / Weight : 238 gr/m Paket / Package : 63 m / 15 kg</p>			<p>01.24.01</p> <p>KENET FİTİLİ CONNECTION GASKET</p> <p>Malzeme / Material : EPDM Ağırlık / Weight : 10 gr/m Paket / Package : 1500m / 15 kg</p>	
03	<p>01.17.08</p> <p>KAMA TİPİ CAM FİTİLİ GLAZING GASKET</p> <p>Malzeme / Material : EPDM Ağırlık / Weight : 51 gr/m Paket / Package : 294 m / 15 kg</p>			<p>04.11.08</p> <p>SIZDIRMAZLIK PARÇASI SEALING PART</p> <p>Malzeme / Material : EPDM</p>	
04	<p>01.17.22</p> <p>KAMA TİPİ CAM FİTİLİ GLAZING GASKET</p> <p>Malzeme / Material : EPDM Ağırlık / Weight : 51 gr/m Paket / Package : 294 m / 15 kg</p>			<p>17.01.01</p> <p>KIL FİTİL 670x700 BRUSH 670x700</p> <p>Malzeme / Material : Polipropilen / Polipropilene Paket / Package : 275 mt</p>	
05	<p>01.17.23</p> <p>KAMA TİPİ CAM FİTİLİ GLAZING GASKET</p> <p>Malzeme / Material : EPDM Ağırlık / Weight : 63 gr/m Paket / Package : 238 m / 15 kg</p>			<p>17.01.03</p> <p>KIL FİTİL 670X1000 BRUSH 670X1000</p> <p>Malzeme / Material : Polipropilen / Polipropilene</p>	
06	<p>01.16.19</p> <p>DIŞ CAM FİTİLİ GLAZING GASKET</p> <p>Malzeme / Material : EPDM Ağırlık / Weight : 68 gr/m Paket / Package : 220 m / 15 kg</p>				
07					

	<p>04.01.02</p> <p>KANAT SABİTLEYİCİ FIXED VENT</p> <p>Malzeme / Material : PVC (15 mm)</p>			<p>04.10.28A</p> <p>PVC KAPAK PVC CAP</p> <p>Malzeme / Material : PVC (ATS58V07 için / for ATS58V07) 04.10.28A ve 04.10.28B birlikte kullanılacaktır. 04.10.28A and 04.10.28B will be used together.</p>	
	<p>04.07.19</p> <p>KÖŞE ÇAVUŞU CORNER CLEAT</p> <p>Malzeme / Material : PVC</p>			<p>04.10.28B</p> <p>PVC KAPAK PVC CAP</p> <p>Malzeme / Material : PVC (ATS58V07 için / for ATS58V07) 04.10.28A ve 04.10.28B birlikte kullanılacaktır. 04.10.28A and 04.10.28B will be used together.</p>	
	<p>04.10.24</p> <p>PVC KAPAK PVC CAP</p> <p>Malzeme / Material : PVC (ATS58V01 için / for ATS58V01)</p>			<p>04.10.29A</p> <p>PVC KAPAK PVC CAP</p> <p>Malzeme / Material : PVC (ATS58V04 için / for ATS58V04) 04.10.29A ve 04.10.29B birlikte kullanılacaktır. 04.10.29A and 04.10.29B will be used together.</p>	
	<p>04.10.25</p> <p>PVC KAPAK PVC CAP</p> <p>Malzeme / Material : PVC (ATS58V02 için / for ATS58V02)</p>			<p>04.10.29B</p> <p>PVC KAPAK PVC CAP</p> <p>Malzeme / Material : PVC (ATS58V04 için / for ATS58V04) 04.10.29A ve 04.10.29B birlikte kullanılacaktır. 04.10.29A and 04.10.29B will be used together.</p>	
	<p>04.10.26A</p> <p>PVC KAPAK PVC CAP</p> <p>Malzeme / Material : PVC (ATS58V08 için / for ATS58V08)</p>			<p>04.10.30A</p> <p>PVC KAPAK PVC CAP</p> <p>Malzeme / Material : PVC (ATS58V03 için / for ATS58V03) 04.10.30A ve 04.10.30B birlikte kullanılacaktır. 04.10.30A and 04.10.30B will be used together.</p>	
	<p>04.10.26B</p> <p>PVC KAPAK PVC CAP</p> <p>Malzeme / Material : PVC (ATS58V08 için / for ATS58V08)</p>			<p>04.10.30B</p> <p>PVC KAPAK PVC CAP</p> <p>Malzeme / Material : PVC (ATS58V03 için / for ATS58V03) 04.10.30A ve 04.10.30B birlikte kullanılacaktır. 04.10.30A and 04.10.30B will be used together.</p>	
	<p>04.10.27</p> <p>KANAT KAPAĞI CAP FOR VENT</p> <p>Malzeme / Material : PVC (ATS58V03-ATS58V04-ATS58V07-ATS58V13 için)</p>				

01

02


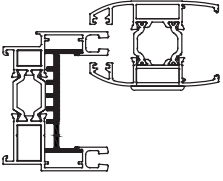
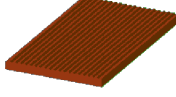
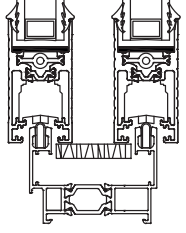
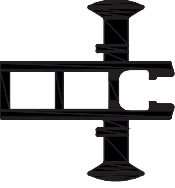
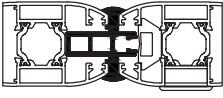

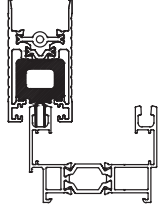
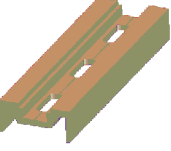
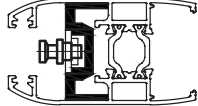

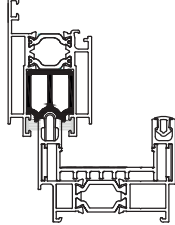



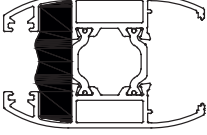

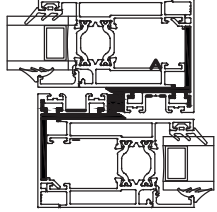
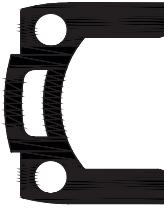
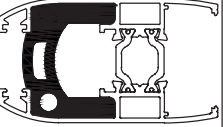

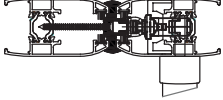

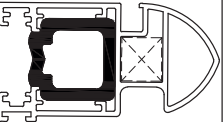

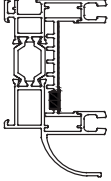

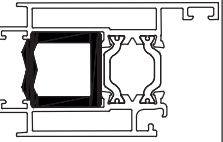
03

04

05

06

07

	 <p>02.03.15 PVC YALITIM ADAPTÖRÜ PVC ADAPTER FOR INSULATION Malzeme / Material : PVC Paket / Package : 6 mt</p> 	 <p>11.02.20 CAM TAKOZU GLASS SUPPORT Malzeme / Material : PVC</p> 
01	 <p>02.03.16 ORTA BİRLESİM ADAPTÖRÜ ADAPTER FOR MIDDLE CONNECTION Malzeme / Material : PVC</p> 	 <p>11.05.01 KANAT SABİTLEME TAKOZU WENT FIXING PART Malzeme / Material : PVC</p> 
02	 <p>02.03.17 TİJLİ KİLİT ADAPTÖRÜ ROD LOCKING SYSTEM ADAPTER Malzeme / Material : Pvc (120 mm)</p> 	 <p>11.05.05 KANAT SABİTLEME TAKOZU WENT FIXING PART Malzeme / Material : PVC (ATSS8V13 için / for ATSS8V13)</p> 
03	 <p>02.03.18 SİNEKLİK ADAPTÖRÜ INSECT SCREEN ADAPTER Malzeme / Material : Pvc</p> 	 <p>19.01.04 STOPER STOPER Malzeme / Material : EPDM (ATSS8V01 için / for ATSS8V01)</p> 
04	 <p>02.03.20 ORTA KENET ADAPTÖRÜ MIDDLE CLAMPING ADAPTER Malzeme / Material : Sert Pvc / Hard Pvc</p> 	 <p>19.01.06 STOPER STOPER Malzeme / Material : EPDM (ATSS8V02 için / for ATSS8V02)</p> 
05	 <p>02.03.35 ORTA BİRLESİM ADAPTÖRÜ ADAPTER FOR MIDDLE CONNECTION Malzeme / Material : PVC Ölçek/Scale:1/2</p> 	 <p>19.01.10 STOPER STOPER Malzeme / Material : EPDM (ATSS8V06 için / for ATSS8V06)</p> 
06	 <p>04.19.01 PVC TAPA PVC PLUG Malzeme / Material : PVC</p> 	 <p>19.01.11 STOPER STOPER Malzeme / Material : EPDM (ATSS8V13 için / for ATSS8V13)</p> 
07		

 <p>07.05.28 RESCARA GLOBAL PENCERE KOLU (TEK DİLLİ) RESCARA GLOBAL HANDLE FOR WINDOWS (SINGLE RAIL) Renk / Colour : Siyah-Beyaz-Gri / Black-White-Grey</p> <p>EN 1670</p>	 <p>07.05.25 GIESSE İSPANYOLEK KOL (ÇİFT DİLLİ) GIESSE HANDLE FOR WINDOWS (DOUBLE RAIL) Renk / Colour : Siyah-Beyaz-Gri / Black-White-Grey</p> <p>UNI CEI EN ISO / IEC 17050</p>
 <p>07.05.32 RESCARA GLOBAL PENCERE KOLU (ÇİFT DİLLİ) RESCARA GLOBAL HANDLE FOR WINDOWS (DOUBLE RAIL) Renk / Colour : Siyah-Beyaz-Gri / Black-White-Grey</p> <p>EN 1670, 13126-8</p>	 <p>07.25.01 GIESSE TİJ BAĞLANTI PARÇASI GIESSE CONNECTION ROD Renk / Colour : Siyah / Black Malzeme / Material : Polyamid / Polyamide</p> <p>07.05.25 Kol için / For Handle 07.05.25</p>
 <p>07.13.08 RESCARA KOL BAĞLANTI PARÇASI RESCARA CONNECTION PART FOR HANDLE Malzeme / Material : PVC</p> <p>07.05.32 Kol için / For Handle 07.05.32</p>	 <p>07.13.07 KOL BAĞLANTI PARÇASI CONNECTION PART FOR HANDLE Malzeme / Material : Zamak / Zamak</p> <p>07.05.28 Kol için / For Handles 07.05.28</p>
 <p>16.05.07 KİLİT ADAPTÖRÜ LOCK ADAPTER</p> <p>07.05.25, 07.05.28 ve 07.05.32 Kolları için / For Handle 07.05.25, 07.05.28 and 07.05.32</p>	 <p>16.05.02 SÜRME KİLİT KARŞILIĞI STRIKER FOR SLIDING LOCK</p> <p>07.05.25, 07.05.28 ve 07.05.32 Kolları için / For Handle 07.05.25, 07.05.28 and 07.05.32</p>
 <p>16.04.04 SÜRME DİL SLIDING BOLT</p> <p>07.05.25, 07.05.28 ve 07.05.32 Kolları için / For Handle 07.05.25, 07.05.28 and 07.05.32</p>	

01

02

03

04

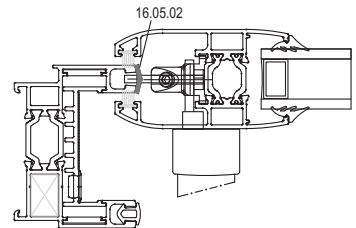
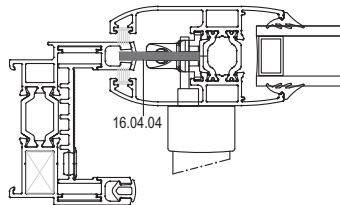
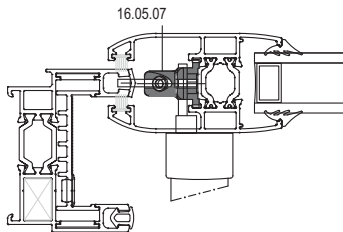
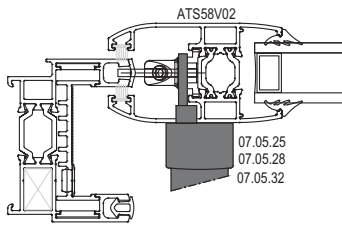
05





06

07

KOL İLE KİLİTLEME SEÇİM TABLOSU
LOCKING KIT SELECTION TABLE WITH HANDLE

KOD CODE	TANIM DESCRIPTION	ADET NUMBER				KANAT VENT	
		H: 0-1200 mm	H: 1201-1799 mm	H: 1800-2199mm	H: 2200-2500 mm		
RESCARA TEK DİLLİ KOL RESCARA SINGLE RAIL HANDLE	07.05.28	RESCARA GLOBAL PENCERE KOLU RESCARA GLOBAL HANDLE	1	1	1	1	ATS58V02
	07.13.07	KOL BAĞLANTI PARÇASI CONNECTION PART FOR HANDLE	1	1	1	1	
GIESSE ÇİFT DİLLİ KOL GIESSE DOUBLE RAIL HANDLE	07.05.25	GIESSE İSPANYOLET KOL GIESSE HANDLE FOR WINDOWS	1	1	1	1	
	07.25.01	GIESSE TIJ BAĞLANTI PARÇASI GIESSE CONNECTION ROD	1	1	1	1	
RESCARA ÇİFT DİLLİ KOL RESCARA DOUBLE RAIL HANDLE	07.05.32	RESCARA GLOBAL PENCERE KOLU RESCARA GLOBAL HANDLE	1	1	1	1	
	07.13.08	RESCARA KOL BAĞLANTI PARÇASI RESCARA CONNECTION ROD	1	1	1	1	
16.05.07	KİLİT ADAPTÖRÜ LOCK ADAPTÖR	2	3	4	5		
16.04.04	SÜRME DİL SLIDING BOLT	2	3	4	5		
16.05.02	SÜRME KİLİT KARŞILIĞI STRIKER FOR SLIDING LOCK	2	3	4	5		



 <p>07.10.12 HAVUZLU KİLİT ANAHTARLI SLIDING LOCK WITH KEY Malzeme / Material : Alüminyum-Zamak Aluminium -Zamak</p>	 <p>07.10.13 HAVUZLU KİLİT SLIDING LOCK Malzeme / Material : Alüminyum-Zamak Aluminium -Zamak</p>
 <p>07.10.14 ÇİFTLİ HAVUZLU KİLİT ANAHTARLI DOUBLE SLIDING LOCK WITH KEY Malzeme / Material : Alüminyum-Zamak Aluminium -Zamak</p>	 <p>07.10.09 HAVUZ KOL SLIDING HANDLE Malzeme / Material : Alüminyum Aluminium</p>
 <p>07.11.03 KOL ÜSTÜ KARŞILIK STRIKER FOR HANDLE 07.10.12 , 07.10.13 , 07.10.14 Sürme Kilitt için / For Handle 07.10.12 , 07.10.13 , 07.10.14</p>	 <p>16.05.05 SÜRME KİLİT ADAPTÖRÜ LOCK ADAPTER 07.10.12 , 07.10.13 , 07.10.14 Sürme Kilitt için / For Handle 07.10.12 , 07.10.13 , 07.10.14</p>

01

02

03

04

05

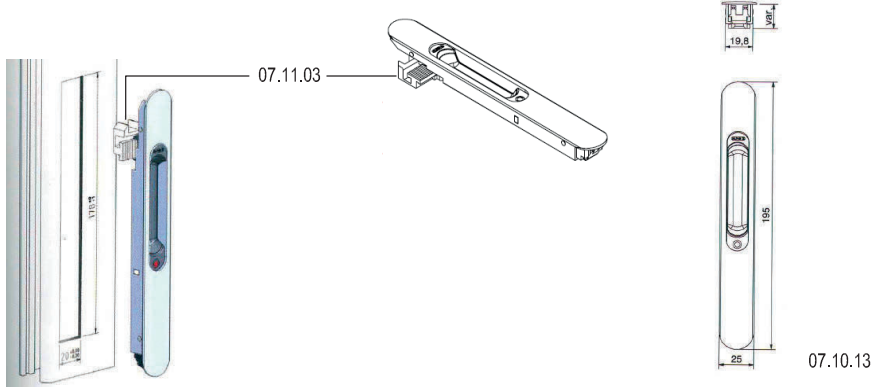
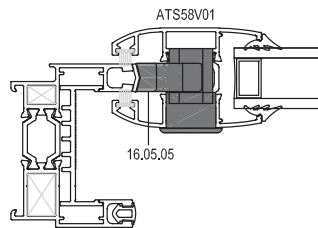
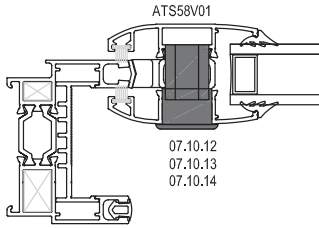
06

07

HAVUZLU KOL İLE KİLİTLEME SEÇİM TABLOSU

LOCKING KIT SELECTION TABLE WITH HANDLE 07.10.13

KOD CODE	TANIM DESCRIPTION	ADET NUMBER	KANAT VENT
07.10.12 07.10.13 07.10.14	HAVUZLU KİLİT SLIDING LOCK	1	ATS58V01 ATS58V02 ATS58V13
16.05.05	SÜRME KİLİT ADAPTÖRÜ SLIDING LOCK ADAPTÖR	1	
07.11.03	KOL ÜSTÜ KARŞILIK STRIKER FOR HANDLE	1	



01

02




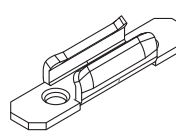

03

04

05

06

07

 <p>07.05.41 RESCARA AKUSTİK PENCERE KOLU RESCARA ACOUSTIC HANDLE Renk / Colour : Siyah-Beyaz-Gri Black-White-Grey</p>	 <p>07.05.42 RESCARA AKUSTİK PENCERE KOLU RESCARA ACOUSTIC HANDLE Renk / Colour : Siyah-Beyaz-Gri Black-White-Grey</p>
 <p>07.05.48 RESCARA GİZLİ SÜRME KOLU RESCARA HIDDEN SLIDING HANDLE Renk / Colour : Siyah-Beyaz-Gri Black-White-Grey</p>	 <p>16.05.08 SÜRME KİLİT KARŞILIĞI STRIKER FOR SLIDING LOCK</p> <p>07.05.41, 07.05.42, 07.05.48 PVC Kol için / For PVC Handle 07.05.41, 07.05.42, 07.05.48</p>
<p>07.18.XX 22 EKSEN SÜRME İSPANYOLETİ 22 AXIS STEEL GEARBOX SLIDING ESPOGNOLETTE Renk / Colour : Siyah-Beyaz-Gri Black-White-Grey</p>	 <p>04.20.01 KARŞILIK ALT PLASTİK PARÇASI TIN PLATE STRIKER FOR SLIDING LOCK</p>

01

02

03

04

05

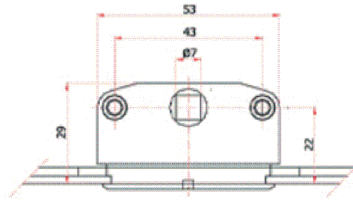
06

07

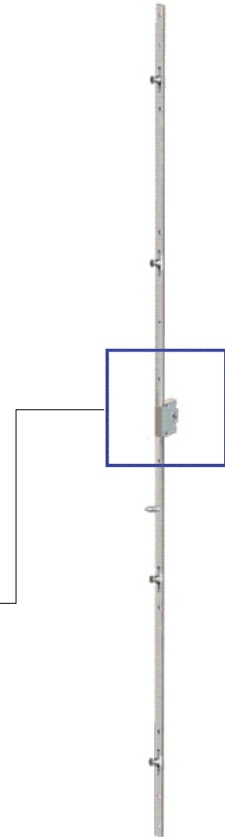
07.18.xx 22 EKSEN SÜRME İSPANYOLETİ

07.18.xx 22 AXIS STEEL GEARBOX SLIDING ESPOGNOLETTE

KOD CODE	ÖLÇÜ DIMENSION
07.18.24	h: 600mm-800mm / 22
07.18.25	h:800mm-1000mm / 22
07.18.26	h: 1000mm-1200mm / 22
07.18.27	h: 1200mm-1400mm / 22
07.18.28	h: 1400mm-1600mm / 22
07.18.29	h:1600mm-1800mm / 22
07.18.30	h:1800mm-2000mm / 22
07.18.31	h:2000mm-2200mm / 22

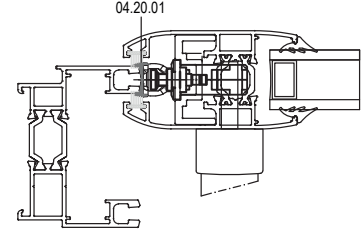
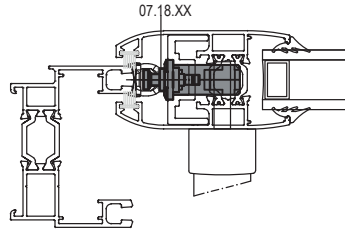
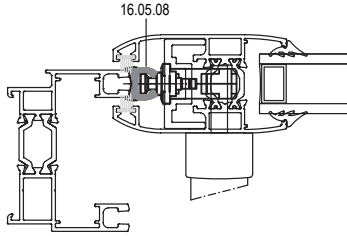
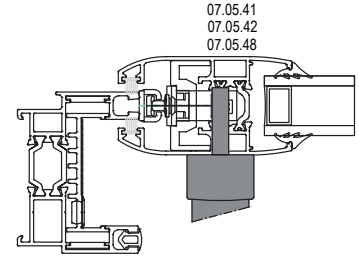


PROJEKTÖR: M. YILMAZ / ÇİZİM: M. YILMAZ / İÇİŞİLERİ VE İÇİŞİLERİ



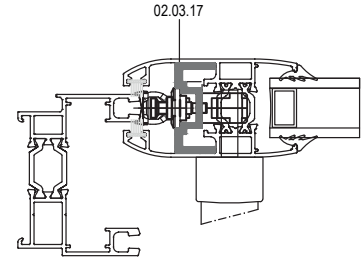
PVC KOL İLE KİLİTLEME SEÇİM TABLOSU
LOCKING KIT SELECTION TABLE WITH PVC HANDLE

KOD CODE	TANIM DESCRIPTION	ADET NUMBER	KANAT VENT
07.05.41 07.05.42 07.05.48	PVC İSPANYOLET KOL PVC HANDLE	1	ATS58V02
16.05.08	SÜRME KİLİT KARŞILIĞI STRIKER FOR SLIDING LOCK	BKZ. 07.18.xx SEÇİM TABLOSU SEE 07.18.xx SELECTION TABLE	
04.20.01	SÜRME SAC KARŞILIĞI TIN PLATE STRIKER FOR SLIDING LOCK	BKZ. 07.18.xx SEÇİM TABLOSU SEE 07.18.xx SELECTION TABLE	
07.18.XX	TIJLİ KİLİT SİSTEMİ ROD LOCKING SYSTEM	1	



07.18.xx 22 EKSEN SÜRME İSPANYOLETİ
07.18.xx 22 AXIS STEEL GEARBOX SLIDING ESPOGNOLETTE

KOD CODE	ÖLÇÜ DIMENSION	16.05.08 ADET/NUMBER	04.20.01 ADET/NUMBER
07.18.24	h: 600mm-800mm / 22	2	2
07.18.25	h:800mm-1000mm / 22	2	2
07.18.26	h: 1000mm-1200mm / 22	3	3
07.18.27	h: 1200mm-1400mm / 22	3	3
07.18.28	h: 1400mm-1600mm / 22	3	3
07.18.29	h:1600mm-1800mm / 22	3	3
07.18.30	h:1800mm-2000mm / 22	4	4
07.18.31	h:2000mm-2200mm / 22	4	4



 <p>16.02.02 GIESSE AYARLI ÇİFTLİ RULMAN GIESSE ADJUSTABLE CARRERA 2 PULLEYS</p> <p>Malzeme / Material : Polyamid- Zamak Polyamide -Zamak</p> <p>2 Adet 180 kg taşır. / 180 kg with 2 pulleys EN 13126-15 : 2008</p>	 <p>16.02.07 RESCARA AYARLI ÇİFTLİ RULMAN RESCARA ADJUSTABLE CARRERA 2 PULLEYS</p> <p>2 Adet 120 kg taşır. / 120 kg with 2 pulleys</p>
 <p>16.01.01 AYARLI TEKLİ RULMAN PULLEY WITH SINGLE WHEEL</p> <p>2 Adet 35 kg taşır. / 35 kg with 2 pulleys Max. kanat ölçüsü 600x1500 / Max. vent dimension 600x1500</p>	 <p>16.01.02 AYARLI ÇİFTLİ RULMAN ADJUSTABLE PULLEY</p> <p>2 Adet 65 kg taşır. / 65 kg with 2 pulleys Max. kanat ölçüsü 1000x2100 / Max. vent dimension 1000x2100</p>
 <p>16.01.12 METAL TEKERLEKLİ AYARLI RULMAN STEEL ADJUSTABLE PULLEYS</p> <p>2 Adet 65 kg taşır. / 65 kg with 2 pulleys Max. kanat ölçüsü 1000x2100 / Max. vent dimension 1000x2100</p>	 <p>16.01.13 METAL TEKERLEKLİ AYARLI RULMAN PULLEY WITH SINGLE WHEEL</p> <p>2 Adet 35 kg taşır. / 35 kg with 2 pulleys Max. kanat ölçüsü 600x1500 / Max. vent dimension 600x1500</p>
 <p>16.02.06 SİNEKLİK RULMANI SWATTER PULLEYS</p>	 <p>16.06.02 ÇELİK RAY STEEL RAIL</p> <p>Malzeme / Material : Paslanmaz Çelik Stainless Steel</p>
 <p>21.01.07 PUNCH MAKİNESİ PUNCH MACHINE (PNÖMATİK)</p>	

01

02

03

04

05

06

07

MİMARİ KATALOG
ARCHITECTURAL CATALOGUE

Alüminyum Kapı Pencere ve Giydirme Cephe Sistemleri
Aluminium Door Window and Facade Systems

RST58

İMALAT DETAYLARI

FABRICATION DETAILS

01

02

03

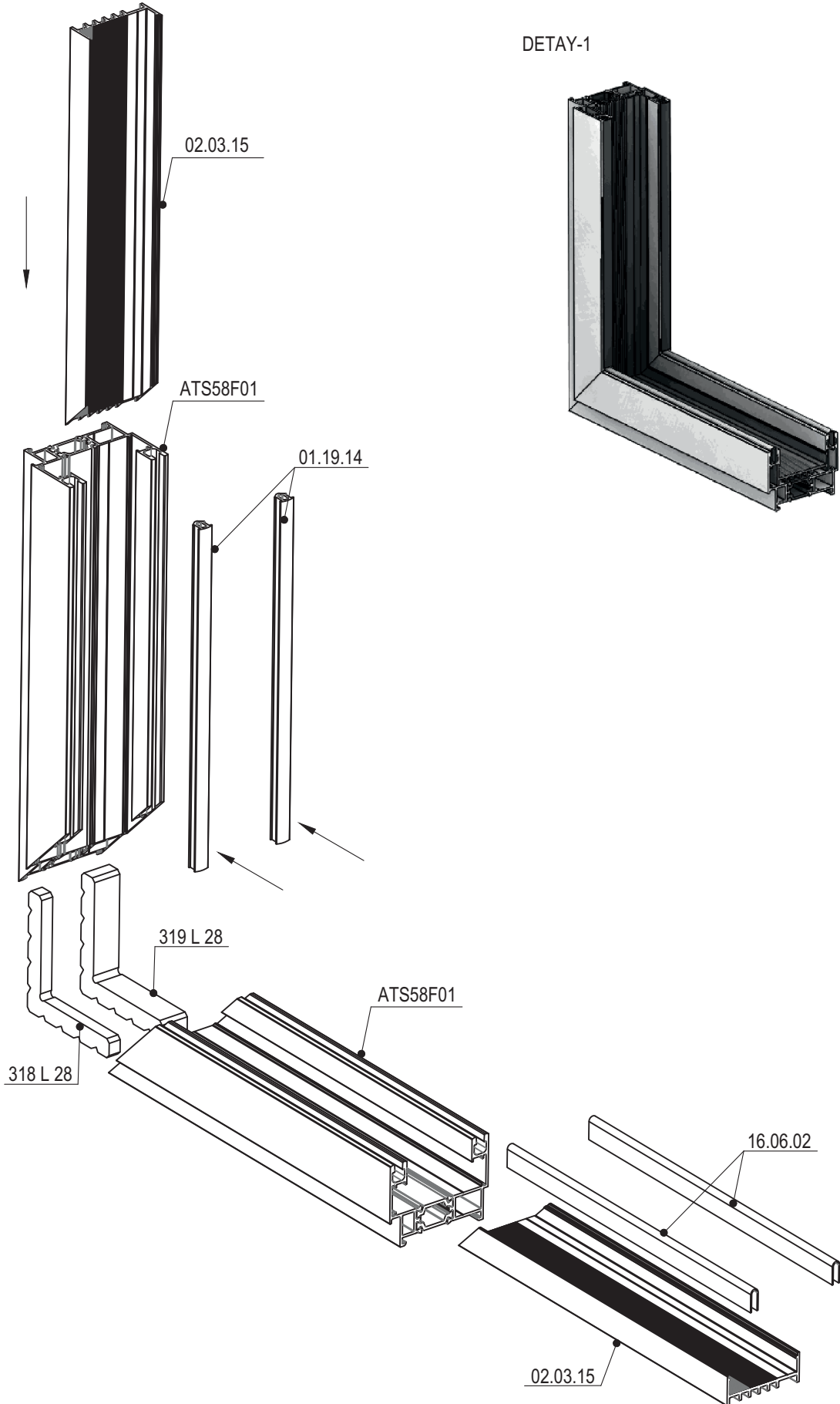
04

05

06

07

(1) KASA KÖŞE BAĞLANTI DETAYI
FRAME CORNER DETAIL



01

02

03

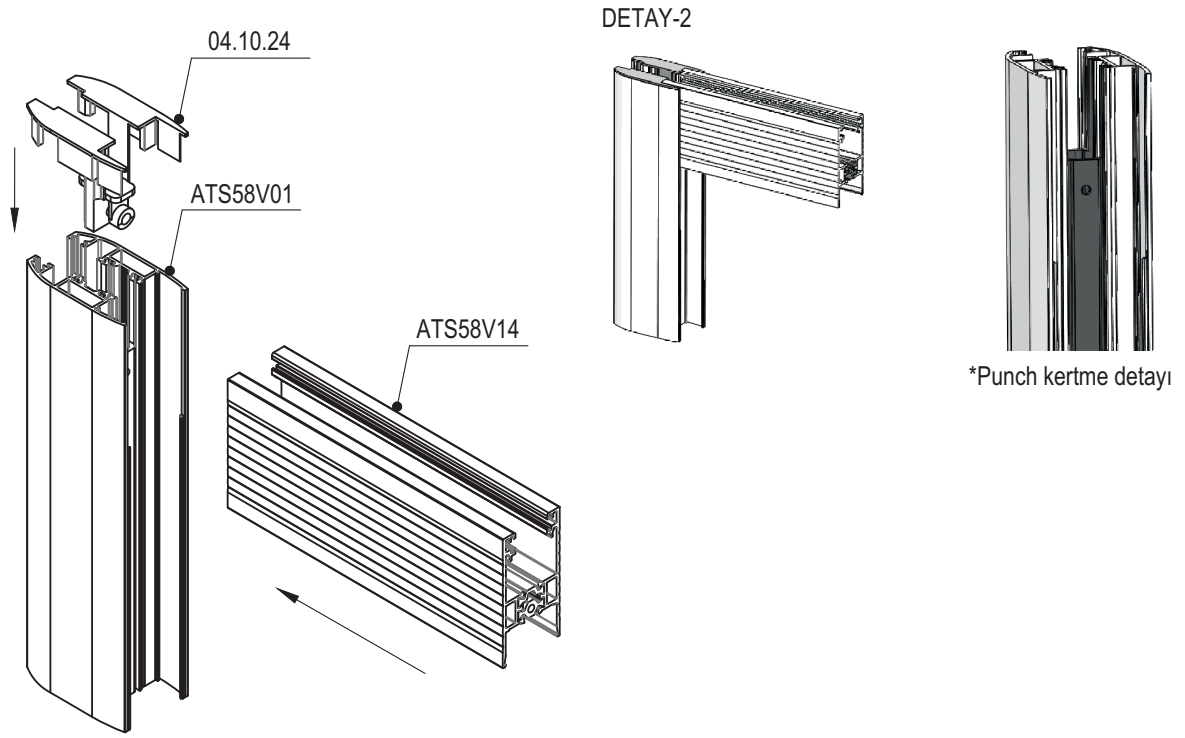
04

05

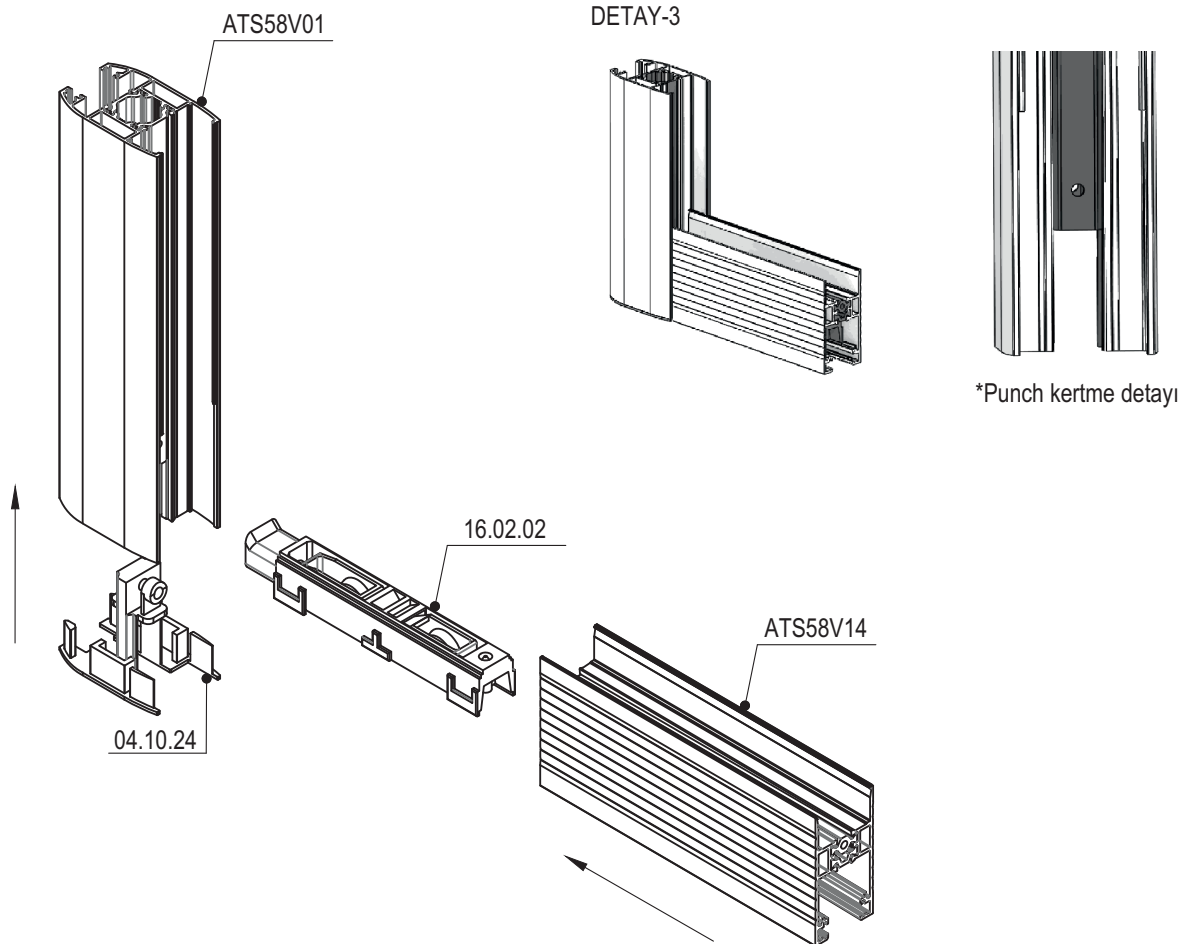
06

07

(2) DÜŞEY - YATAY KANAT BAĞLANTI DETAYI (ÜST)
VERTICAL & HORIZONTAL VENT CONNECTION DETAIL (UPPER)



(3) DÜŞEY - YATAY KANAT BAĞLANTI DETAYI (ALT)
VERTICAL & HORIZONTAL VENT CONNECTION DETAIL (BOTTOM)



01

02

03

04

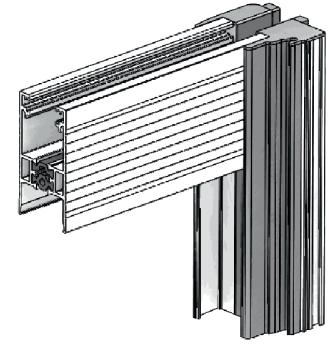
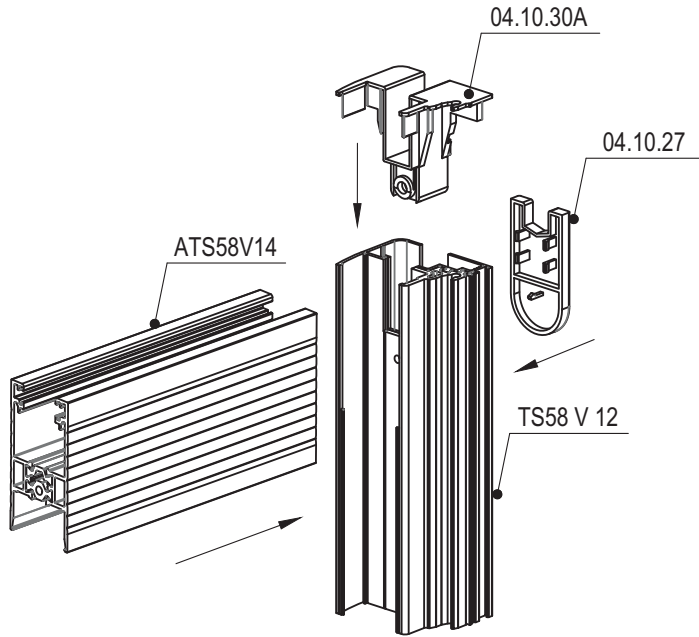
05

06

07

(4) DÜŞEY - YATAY KANAT BAĞLANTI DETAYI (ÜST)
VERTICAL & HORIZONTAL VENT CONNECTION DETAIL (UPPER)

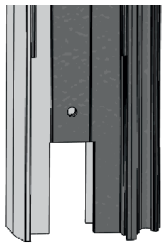
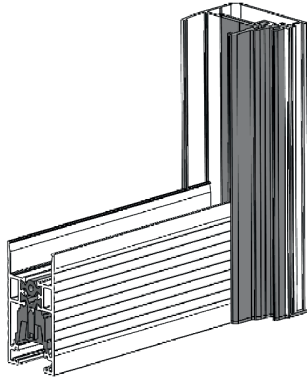
DETAY-4



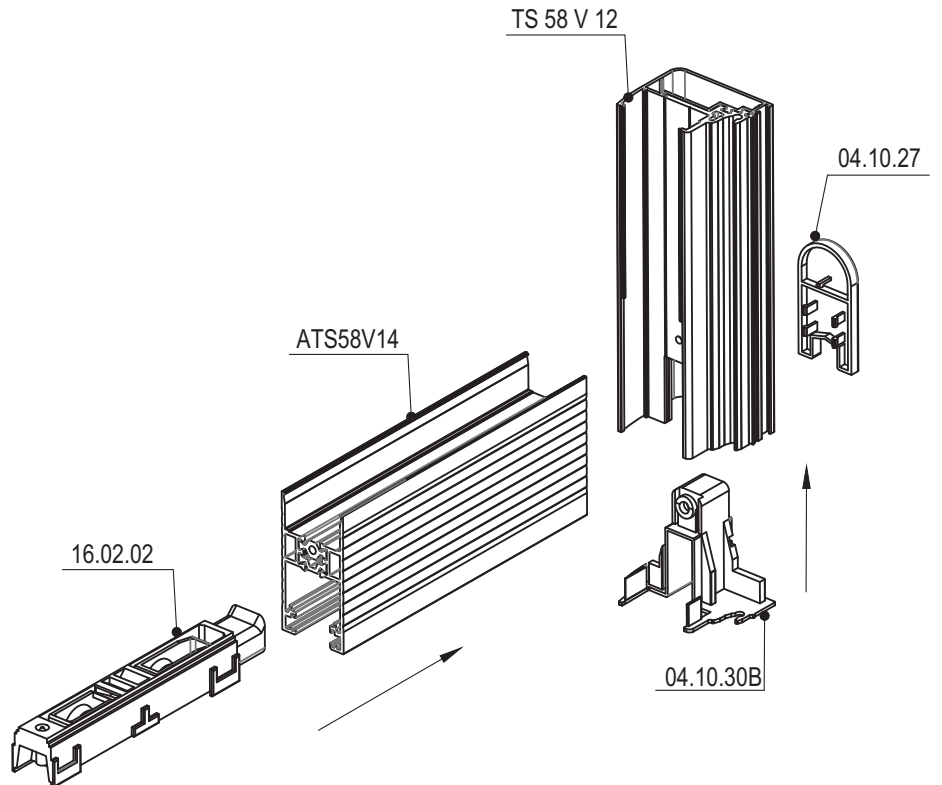
*Punch kertme detayı

(5) DÜŞEY - YATAY KANAT BAĞLANTI DETAYI (ALT)
VERTICAL & HORIZONTAL VENT CONNECTION DETAIL (BOTTOM)

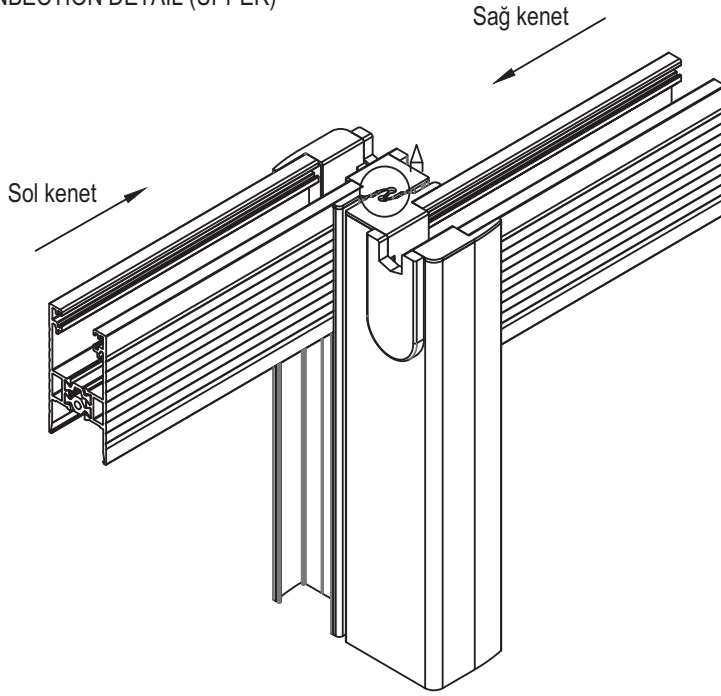
DETAY-5



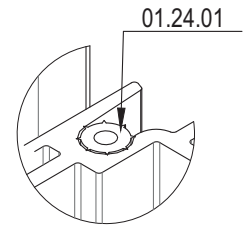
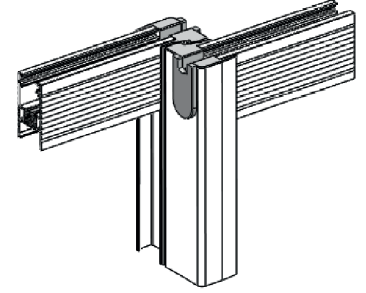
*Punch kertme detayı



(6) KENET BAĞLANTI DETAYI (ÜST)
CONNECTION DETAIL (UPPER)



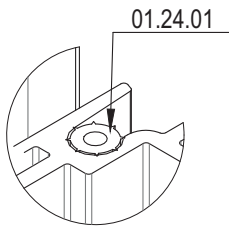
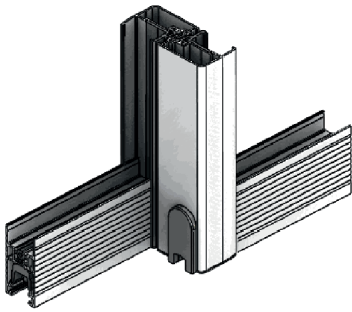
DETAY-6



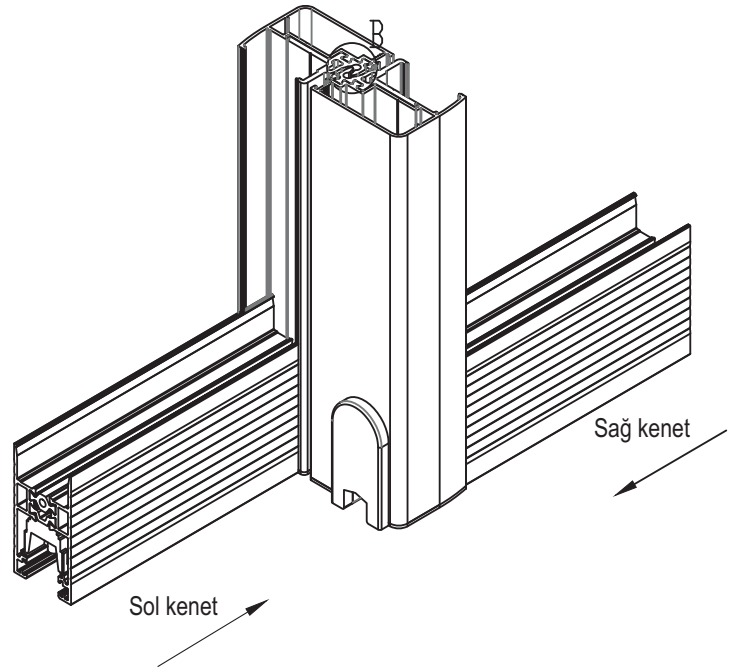
Detay/Detail-A
Ölçek/Scale 2:1

(7) KENET BAĞLANTI DETAYI (ALT)
CONNECTION DETAIL (BOTTOM)

DETAY-7



Detay/Detail-B
Ölçek/Scale 2:1



01

02

03

04

05

06

07